



MUDGUARD

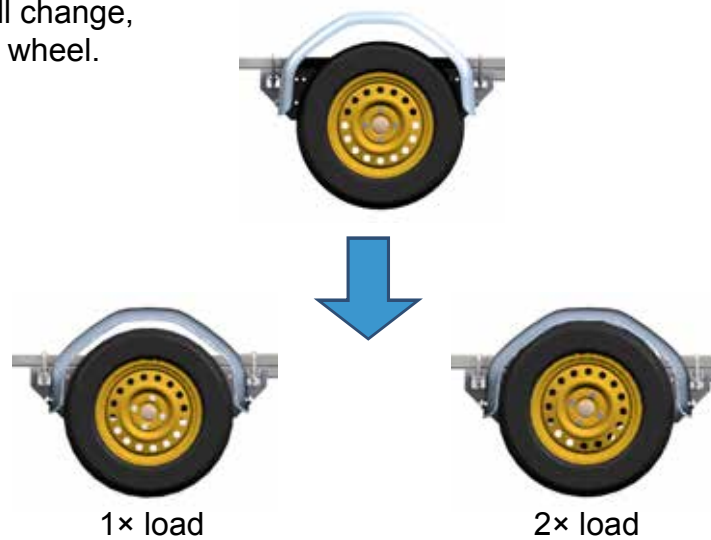
MUDGUARD

Mounting position of mudguard and wheel



This is the correct mounting position of the wheel and mudguard mounting under normal circumstances when the trailer is not loaded. This should provide a clearance of 110 – 120 mms.

Under 1× or 2× load this clearance will change, but still ensures enough space for the wheel.



Please note that you gain a longer lifetimepan for your trailer, if you don't overload it!

STEEL MUDGUARD

Materials:

- stainless steel
- sensimir –galvanized steel

Weatherproof construction!

Profile for sidewall mounting: 12/40

Radius: 12



PLASTIC MUDGUARD

Material:

- high quality plastic

Profile for sidewall mounting: 6/25; 12/37,5; 12/40



TRAILER MUDGUARD



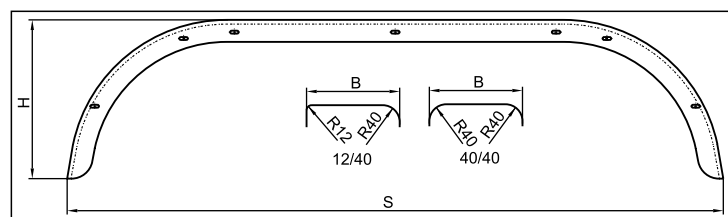
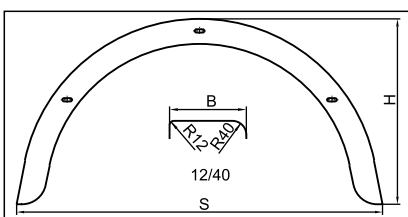
SINGLE AXLE

Type	Length S (mm)	Height H (mm)	Width B (mm)	Profile	Mounting holes (pcs)	Wheel size max.	Article number
A206612K	660	345	200	12/40		165/80R13	6X0573.001
A206612K(F)	660	345	200	12/40	7	165/80R13	6X0573.014
A207012K	700	390	200	12/40		165/80R14	6X0573.002
A207512K	750	415	200	12/40		165/80R16	6X0573.003
A207512K(F)	750	415	200	12/40	5	165/80R16	6X0573.013
A227512K	750	390	220	12/40		185/80R15	6X0573.004
A227512K(F)	750	390	220	12/40	5	185/80R15	6X0573.018
A228012K	800	415	220	12/40		185/80R17	6X0573.005
A228612K	860	445	220	12/40		185/80R19	6X0573.006
A247512K	750	390	240	12/40		205/80R14	6X0573.007
A247512K(F)	750	390	240	12/40	5	205/80R14	6X0573.017
A248012K	800	415	240	12/40		205/80R16	6X0573.008
A248012K(F)	800	415	240	12/40	3 + 4 oval	205/80R16	6X0573.015
A248612K	860	445	240	12/40		205/80R18	6X0573.009
A248040K	800	415	240	40/40		205/80R16	6X0573.010
A268012K	800	445	260	12/40		225/80R14	6X0573.011
A268012K(F)	800	445	260	12/40	7	225/80R14	6X0573.016
A268040K	800	415	260	40/40		225/80R14	6X0573.012

■ Material: galvanized steel

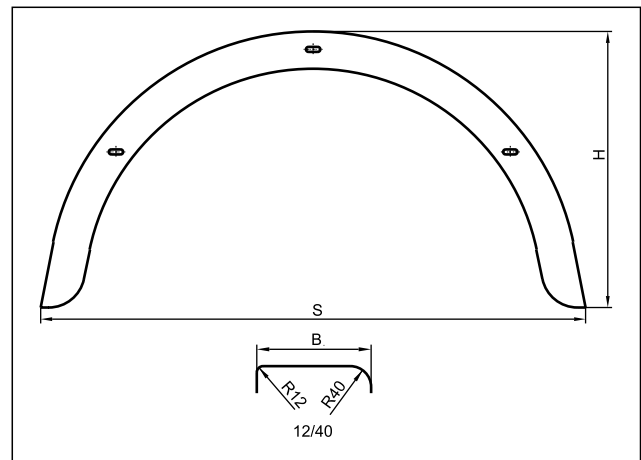
TANDEM AXLE

A2213912KT	1390	375	220	12/40		185/80R12	6X0570.005
A2213912KT(F)	1400	350	220	12/40	5 oval	185/80R12	6X0570.014
A2215512KT	1550	375	220	12/40		185/80R15	6X0570.006
A2215512KT(F)	1550	375	220	12/40	7 oval	185/80R15	6X0570.018
A2215540KT	1550	375	220	40/40		185/80R15	6X0570.002
A2415012KT	1500	410	240	12/40		205/80R13	6X0570.007
A2415012KT(F)	1500	410	240	12/40	7 oval	205/80R13	6X0570.017
A2415040KT	1500	410	240	40/40		205/80R13	6X0570.003
A2615012KT	1500	410	260	12/40		225/80R12	6X0570.008
A2615012KT(F)	1500	400	260	12/40	7 oval	225/80R12	6X0570.016
A2615040KT	1500	410	260	40/40		225/80R12	6X0570.004
A2014812KT	1480	365	200	12/40		165/80R15	6X0570.010
A2415112KT	1510	390	240	12/40		205/80R13	6X0570.011



Mudguards with a profile of 12/40 and 40/40. Radius 12 is for sidewall-mounting on a trailer. Radius 40 is for mounting on the supports of trailers, like boattrailers.

SINGLE AXLE STAINLESS STEEL MUDGUARD

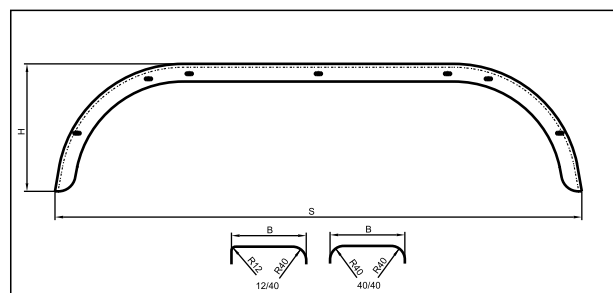


Mudguards with a profile of 12/40. Radius 12 is for sidewall-mounting on a trailer. Radius 40/40 is for mounting on the supports of trailers, like boattrailers.

Type	Lenght S (mm)	Height H (mm)	Width B (mm)	Profile	Mounting holes (pcs)	Wheel size max.	Article number
13"	660	345	200	12/40		165/80R13	6X1485.001
14"	750	390	240	12/40	3 oval	205/80R14	6X1485.002
A268040K	800	415	260	40/40		205/80R16	6X1485.003
10"	620	300	160	12/40		125/80R14	6X1485.004
12"	660	340	190	12/40		155/80R13	6X1485.005
13"	735	370	220	12/40		185/80R14	6X1485.006
14"	800	415	245	40/40		205/80R16	6X1485.007

■ Material: stainless steel

DOUBLE AXLE STAINLESS STEEL MUDGUARD



Type	Lenght S (mm)	Height H (mm)	Width B (mm)	Profile	Mounting holes (pcs)	Wheel size max.	Article number
14"	1500	410	240	12/40	7 oval	205/80R13	6X1486.001
14"	1500	410	240	12/40		205/80R13	6X1486.002

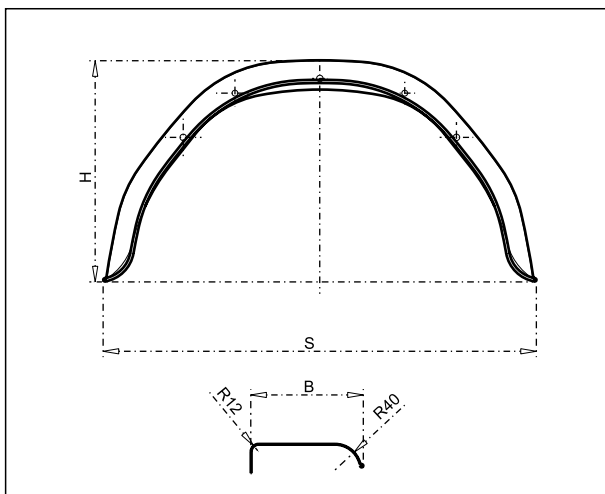
Tandem mudguards with a profile of 12/40 and 40/40. Radius 12 is for sidewall-mounting on a trailer. Radius 40/40 is for mounting on the supports of trailers, like boattrailers.



SINGLE AXLE TRAILER MUDGUARD (angular)



Type	Length S (mm)	Height H (mm)	Width B (mm)	Mounting holes (pcs)	Material	Wheel size max.	Article number
A176712S	670	340	170		galvanized steel	135/80R15	6X1031.001
A176712S(F)	670	340	170	5	galvanized steel	135/80R15	6X1031.012
A207612S	760	390	200		galvanized steel	165/80R17	6X1031.002
A207612S(F)	760	360	200	7	galvanized steel	165/80R17	6X1031.013
A207612S(F)	760	350	200	11	galvanized steel	165/80R17	6X1031.007
A227612S	760	390	220		galvanized steel	185/80R15	6X1031.003
A227512S	750	390	220		galvanized steel	185/80R15	6X1031.004
A247512S	750	390	240		galvanized steel	205/80R14	6X1031.005
A155512S(F)	550	245	150	5	galvanized steel	120/80R11	6X1031.009
ET-70343-A Knott INOX	680	350	200		Stainless steel	255/80R12	6X1486.006
A227512S INOX	750	390	220		Stainless steel	185/80R15	6X1486.007
A176712S INOX	670	340	170		Stainless steel	135/80R15	6X1486.009

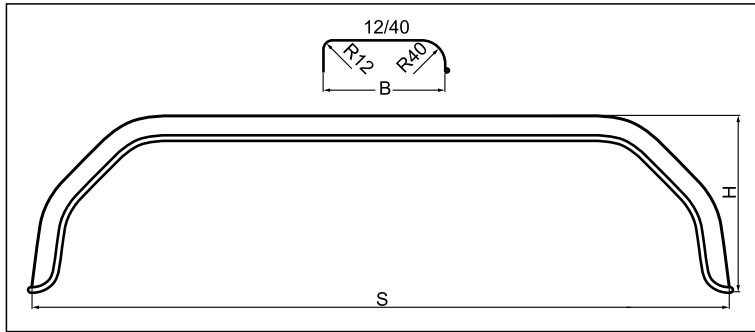


■ Profile: 12/40

Angular mudguards with a profile of 12/40.
Radius 12 is for sidewall-mounting on a trailer.

We can produce our fenders in any (RAL) colour according to customer requests.
Please give the requested colour of the mudguard when placing your order.

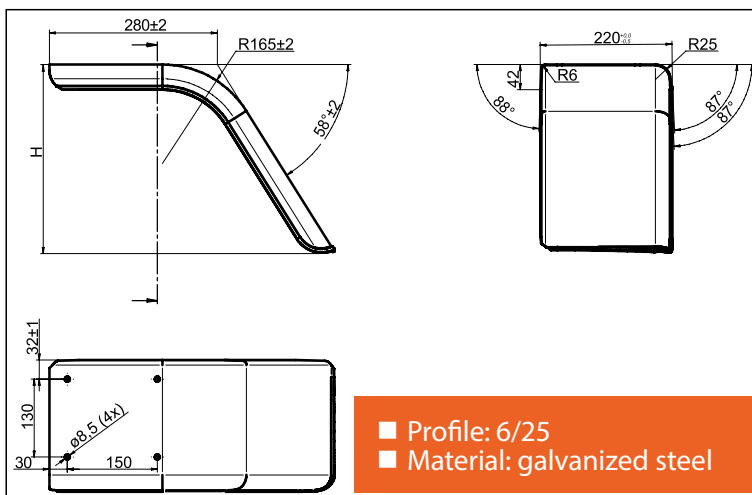
DOUBLE AXLE TRAILER MUDGUARD (angular)



Type	Lenght S (mm)	Height H (mm)	Width B (mm)	Mounting holes (pcs)	Material	Wheel size max.	Article number
A2315112ST	1510	380	230		galvanized steel	195/80R14	6X0570.012
A2315112ST(F)	1520	400	230	9 oval	galvanized steel	195/80R14	6X0570.015
A2315112ST INOX	1510	380	230		Stainless steel	195/80R14	6X1486.008

Tandem mudguards with a profile of 12/40. Radius 12 is for sidewall-mounting on a trailer.

TRAILER MUDGUARD (half)



Type	Lenght S (mm)	Height H (mm)	Width B (mm)	Mounting holes (pcs)	Wheel size max.	Article number
5227 Je & Bh	632	~314	220	4	185/80R15	6A5227.001
5228 JH & Be	632	~314	220	4	185/80R15	6A5228.001
5229 Jh & Be	712	~382	240	4	205/80R14	6A5229.001
5230 Je & Bh	712	~382	240	4	205/80R14	6A5230.001

These mudguards have to be mount on the bottom plate of the trailer.



PLASTIC MUDGUARD WITH MUDFLAP

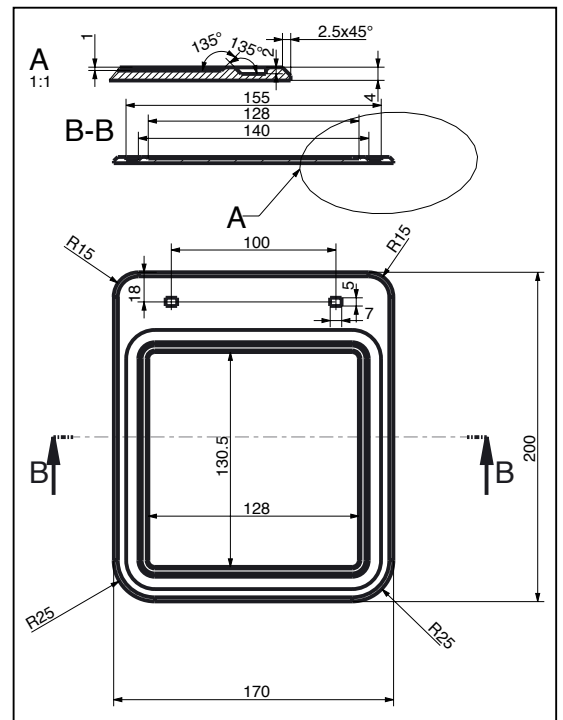


left

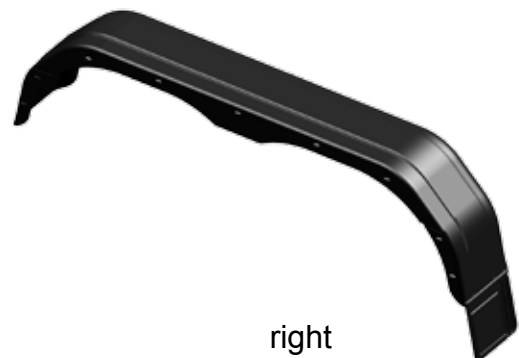


right

Mudguard	Length S (mm)	Height H (mm)	Width B (mm)	Side	Article number
6A6092.002	678	336	180	right	6X1792.001
6A6092.002	678	336	180	left	6X1792.002
6X0744.003	660	320	200	right	6X1792.003
6X0744.003	660	320	200	left	6X1792.004
6X0744.004	760	320	220	right	6X1792.005
6X0744.004	760	320	220	left	6X1792.006
6X1506.002	1550	400	240	right	6X1792.007
6X1506.002	1550	400	240	left	6X1792.008



left

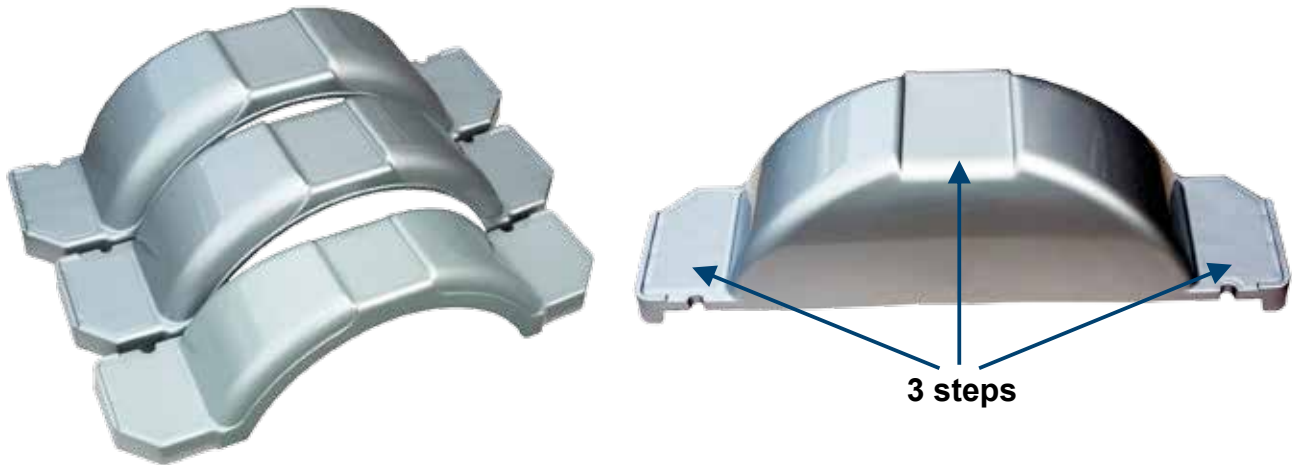


right

PLASTIC MUDGUARD



Type	Length S (mm)	Height H (mm)	Width B (mm)	Profile	Colour	Article number
A186812SM	678	336	180	12/40	gray RAL7040	6A6092.001
A186812SM	678	336	180	12/40	black	6A6092.002
13"	660	327	200	10/30	black	6X0744.003
14"	760	327	220	10/30	black	6X0744.004
Tandem	1550	400	240	10/30	black	6X1506.002
8"-12"	525	150	30/30	gray	6A6594.101	
8"-12"	525	150	175	30/30	white	6A6594.201



Type	Length S (mm)	Height H (mm)	Width B (mm)	Colour	Article number
12"	950	245	225	gray	6A6595.101
13"	1025	295	250	gray	6A6595.102
14"	1100	325	275	gray	6A6595.103
12"	950	245	225	white	6A6595.201
13"	1025	295	250	white	6A6595.202
14"	1100	325	275	white	6A6595.203
12"	950	245	225	black	6A6595.301
13"	1025	295	250	black	6A6595.302
14"	1100	325	275	black	6A6595.303

