



## JOCKEY WHEEL AND PROP STAND

The product can be used:

- for stabilizing trailer nose,
- as stay-bar for trailer,
- with jockey wheel to move the trailer easily

Surface treatment:

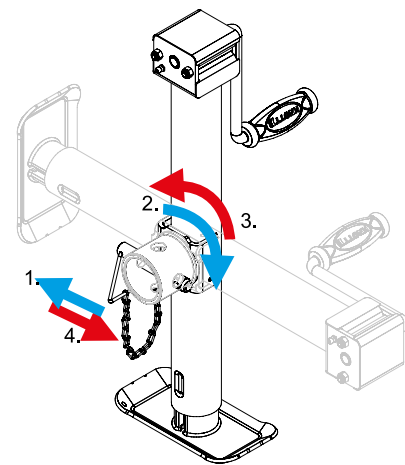
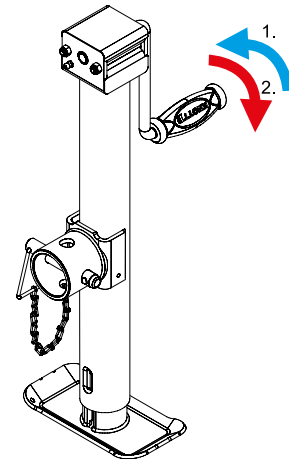
hot-dip galvanization or galvanization

Vertical load capacity:

50 - 1500 kg

### Advantages of the product

- has low maintenance cost
- has a swing away option for comfortable and safe use
- wheel is given with needle roller or sliding bearing
- has a steel plate driving level with bearing and pin of d=5 mm
- has automat or fix jockey wheel
- has a 90° slue out
- has a universal crank



## OPERATION OF THE SWING-AWAY SWIVEL JACK

Thanks to the swing-away swivel, traveling with jockey wheel and prop stand (jack) is safer. Before traveling with your trailer put the jack into horizontal position, in this way the wheel is not able to touch the ground that prevents fraying. To use the jack when the vehicle is not moving put the jack into vertical position.

In both vertical and horizontal positions, the plunger must be securely positioned in the mating hole of the mounting bracket.

Operating instruction of the swing-away swivel:

1. Secure the trailer
2. Pull the plunger pin (U-bolt) out of the opening
3. Swivel the jack
4. Rotate either left or right until the plunger pin snaps properly into the hole of the mounting bracket.



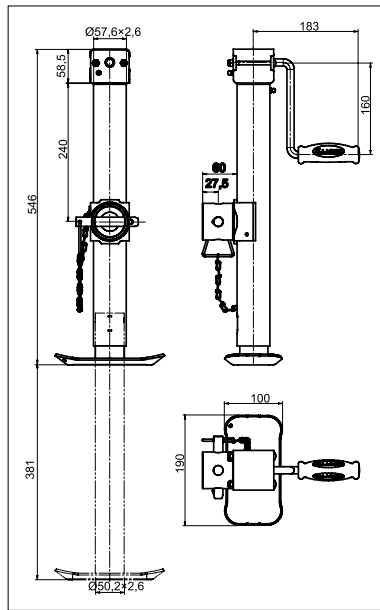
Please ask for further information about the assembly and operating Instruction of the Autoflex jockey wheel from our contact person.



**PROP STAND**



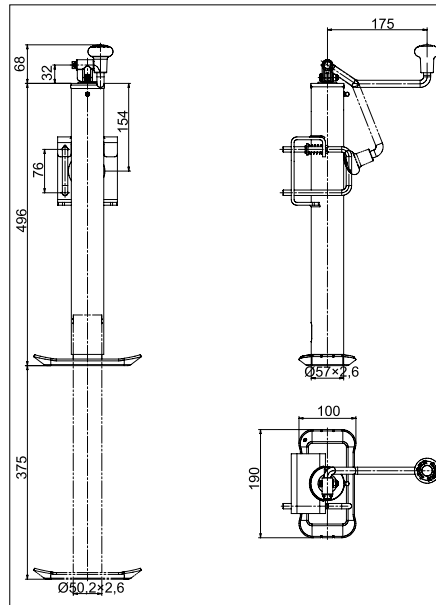
1



2



4



3

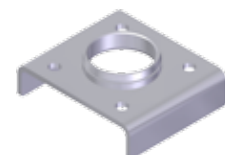


5

For these prop stands  
you have to order the mounting bracket / tube separately!



Mounting tube  
6D8080.001



Mounting bracket  
6D7986.001

No	Model	Vertical load kg (max.)	Notice	Article number
1	TTL 57	900	Hot-dip galvanized + KTL + powder coated	6D7917.001
2	TTL 57	900	Hot-dip galvanized + KTL + powder coated	6D7907.001
3	TTL 57	900	Hot-dip galvanized + KTL + powder coated	6D7931.001
4	TTL 57	900	Hot-dip galvanized + KTL + powder coated	6D7975.001
5	TTL 48	550	Hot-dip galvanized + KTL + powder coated	6D8443.001

## SWING-AWAY SWIVEL JACK



1



2



3



4



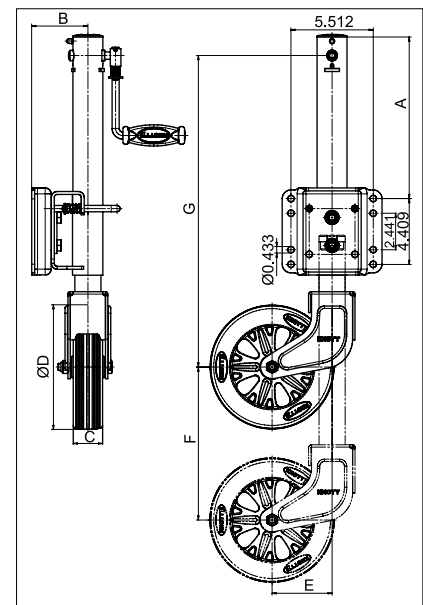
5

No	Model	Load capacity (kgs)	Lifting height (mm)	Handle	Article number
1.	TK48-150/47M	500	215	Sidewind	6D8374.001
2.	TK48-150/47M	500	211	Top	6D8224.001
3.	TK51-210/50M	500	254	Sidewind	6D7983.001
4.	TK57-210/50M	500	200	Sidewind	6D8116.001
5.	TK57-210/50M	500	255	Sidewind	6D8168.001
6.	TK57-210/75M	550	300	Sidewind	6D7706.001

Size (mm)	6D8374	6D8224	6D7983	6D8116	6D8168	6D7706
A	274	166,5	275	200	277,5	322
B	122,5	86	95	91	90	99
C	47	47	50	50	50	75
ØD	153	153	210	212	212	210
E	52	52	102	102	102	102
F	216	211	254	200	255	300
G	467	447	530	443	506	570

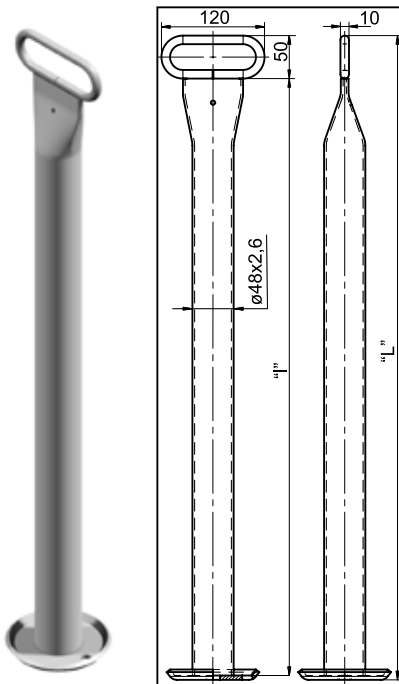


3

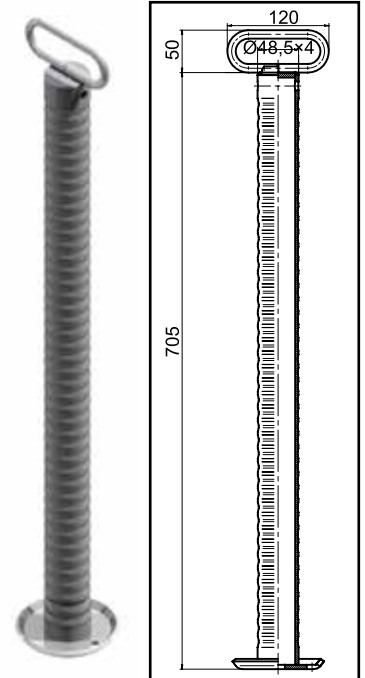


## PROP STAND

### TL 48



L (mm)	I (mm)	Surface	Article number
590	535	FeZn12	6D5749.001
590	535	hot-dip galvanised	6D5749.002
710	655	FeZn12	6D5749.003
710	655	hot-dip galvanised	6D5749.004
900	845	FeZn12	6D5749.005
900	845	hot-dip galvanised	6D5749.006
550	495	FeZn12	6D5749.007
550	495	hot-dip galvanised	6D5749.008
650	595	FeZn12	6D5749.009
650	595	hot-dip galvanised	6D5749.010
750	695	FeZn12	6D5749.011
750	695	hot-dip galvanised	6D5749.012
850	795	FeZn12	6D5749.013
850	795	hot-dip galvanised	6D5749.014



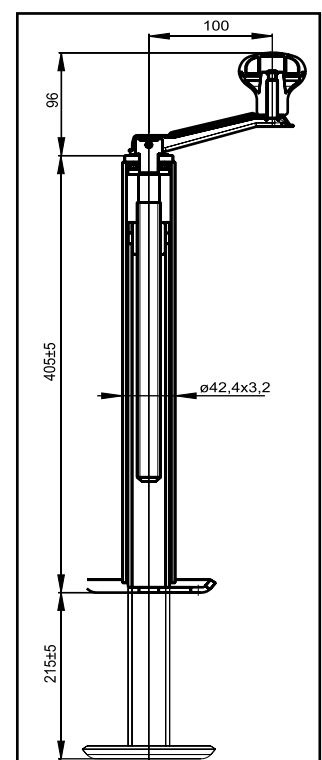
### TL 48H

Model	Vertical load kg (max.)	Notice	Article number
TL 48H	280	fixation with clamp	6D6585.001

## TELESCOPIC PROP STAND



### TTL 42

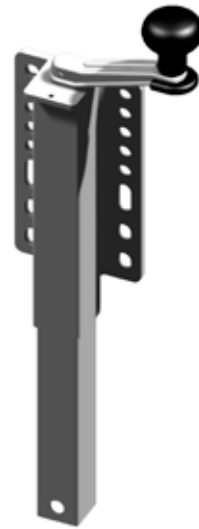
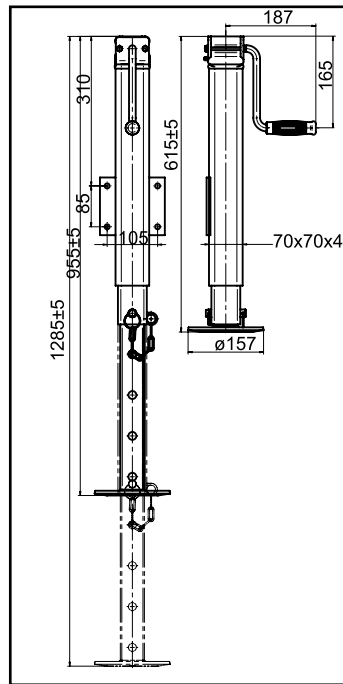


Model	Vertical load kg (max.)	Notice	Article number
TTL 42	250	fixation with clamp	6D5981.001

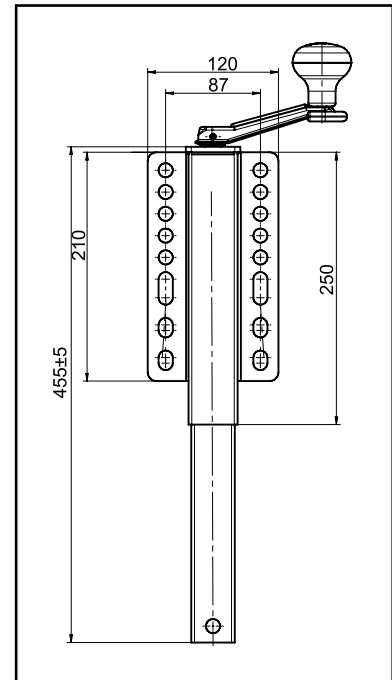
# HEAVY-DUTY TELESCOPIC PROP STAND



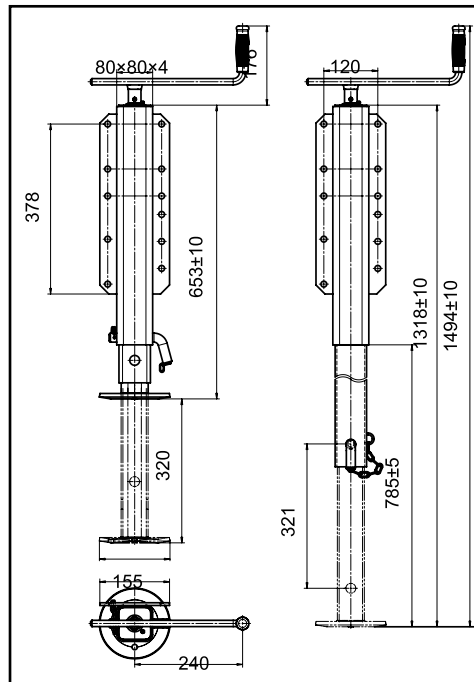
**TTLS 70**



**TTL 205x120**



**TTL 80**



Model	Vertical load kg (max.)	Notice	Article number
TTLS 70	1500	fixation with bolt	6D6334.001
TTL 80	1500	fixation with bolt	6D6888.001
TTL 205x120	1500	fixation with bolt	6D7877.001

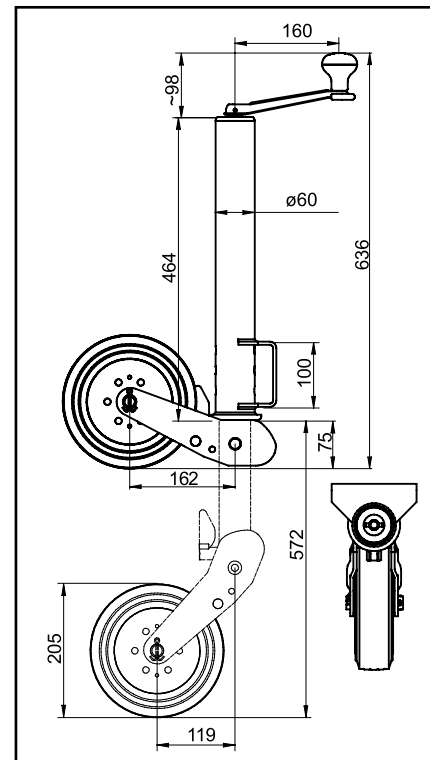


## RETRACTABLE JOCKEY WHEEL FOR TRAILERS AND CARAVANS

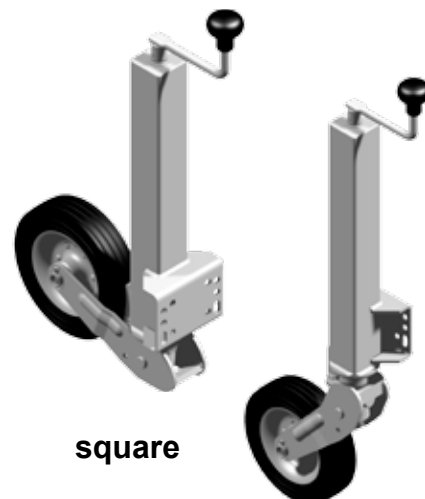
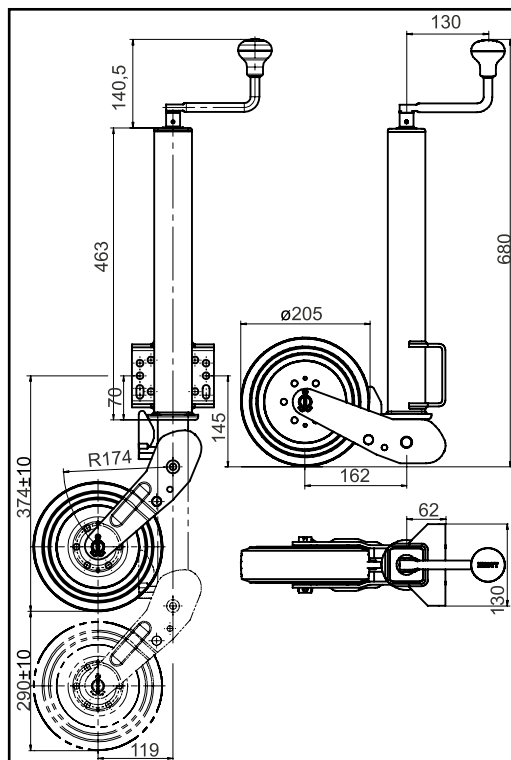


round

**ATK 60-205/50 AC**



Type	Vertical load (max. kg)	Wheel material	Wheel size	Article number
ATK 60-205/50 AC	150	solid rubber + sheet metal rim + slide bearing	205×50	6D5093.001
ATKS 60-205/50 AC	150	solid rubber + sheet metal rim + slide bearing	205×50	6D5338.001



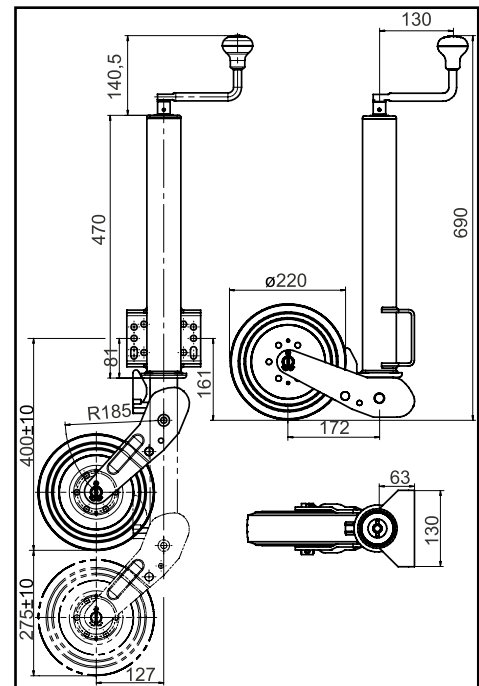
square

**ATKS 60-205/50 AC**

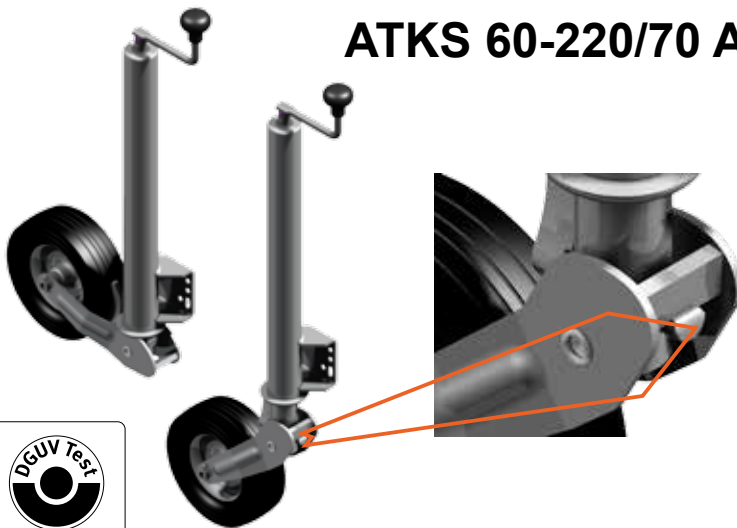
## RETRACTABLE JOCKEY WHEEL FOR TRAILERS AND CARAVANS



**ATK 60-220/70 AC**



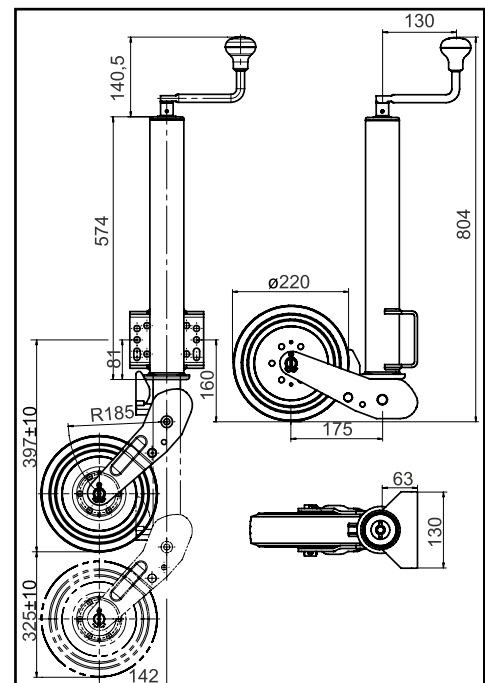
Type	Vertical load (max. kg)	Wheel material	Wheel size	Article number
ATK60-220/70 AC	150	solid rubber + sheet metal rim + needle bearing	220×70	6D5345.001
ATK60S-220/70 AC	250	solid rubber + sheet metal rim + needle bearing	220×70	6D8539.001
ATK60S-210/75 AC	500	solid rubber + sheet metal rim + needle bearing	210×75	6D8499.001
ATK60S-210/75 M	500	solid rubber + plastic rim + slide bearing	210×75	6D7933.001



**ATKS 60-220/70 AC**



**New safety solution!**



### Automatic jockey wheel with safety function

ATK60S jockey wheel supports any type of drawbar for mono or tandem trailer with a maximum of 3500 kg load capacity.

Through an innovative design this jockey wheel prevents accidental collapse of the swing arm thus avoiding the associated risk of injury.

**The swing arm can be only be folded in the unloaded state.**





*News*

# Trailer systems

Let us introduce  
the European  
Jockey wheel

## TK48



**Stable quality**

**Stronger handle**

**Strengthened  
construction**

Article number: 6D8746

[www.autoflex.hu](http://www.autoflex.hu)

**THERE IS NO TRAILER WITHOUT US !**

**Made according customer feedbacks!**

**KNOTT**  
AUTOFLEX KFT

## OPERATION- AND MAINTENANCE INSTRUCTIONS SAFETY-AUTOMATIC-JOCKEY WHEEL TYP: ATK60S

### Connecting the trailer:

- o The jockey wheel must face the rear of the trailer
- o Lower the drawbar by reeling in the jockey wheel until the ball coupling rests on the vehicle towing ball, until it locks up or is set at hitch height.

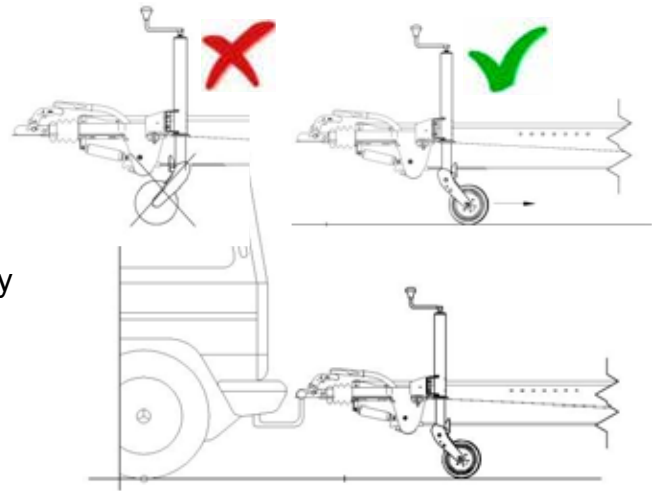
### NOTE:

The safety automatic jockey wheel ATK60S can only be wound in completely when it is in an unloaded state, i.e. when in fully coupled condition

NOTE: If the folding mechanism is blocked by the incomplete unloading of the drawbar, it must not be cranked down violently.

NOTE: The wheel must not touch the brake linkage otherwise it could impair the system operation.

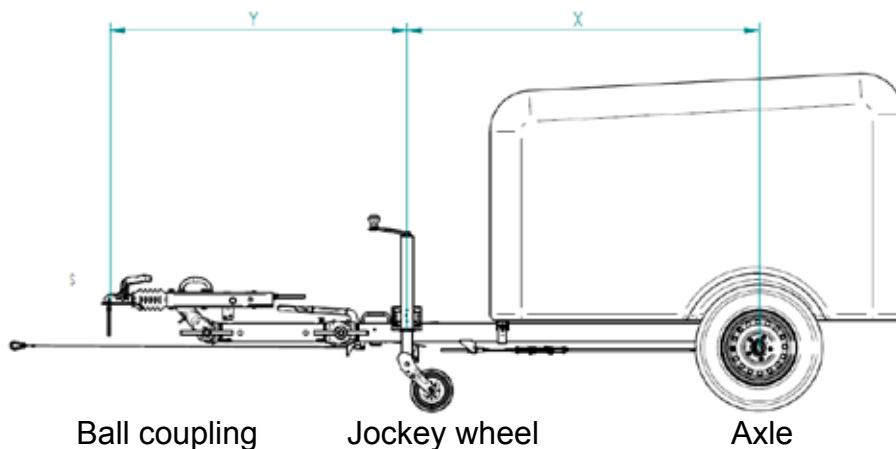
- o Crank up the jockey wheel completely until the wheel locks
- o Tighten the crank to secure wheel, preventing accidental operation.



### 1. Determine of the lifting capacity

Determine the lifting capacity is sufficient before installing the selected Jockey wheel. The lifting capacity must be sufficient for the application. The required lifting capacity must be calculated as follows:

$$\text{Lifting capacity} = \frac{(x + y) \times S}{X}$$



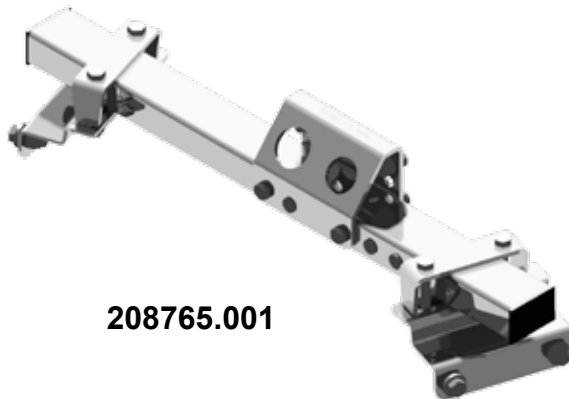
Load (S)

Legend:

- x distance jockey wheel - axle
- y distance ball coupling - jockey wheel
- S maximum permissible static load on the coupling point



# CROSS MEMBER PACKAGE FOR UNIVERSAL JOCKEY WHEEL

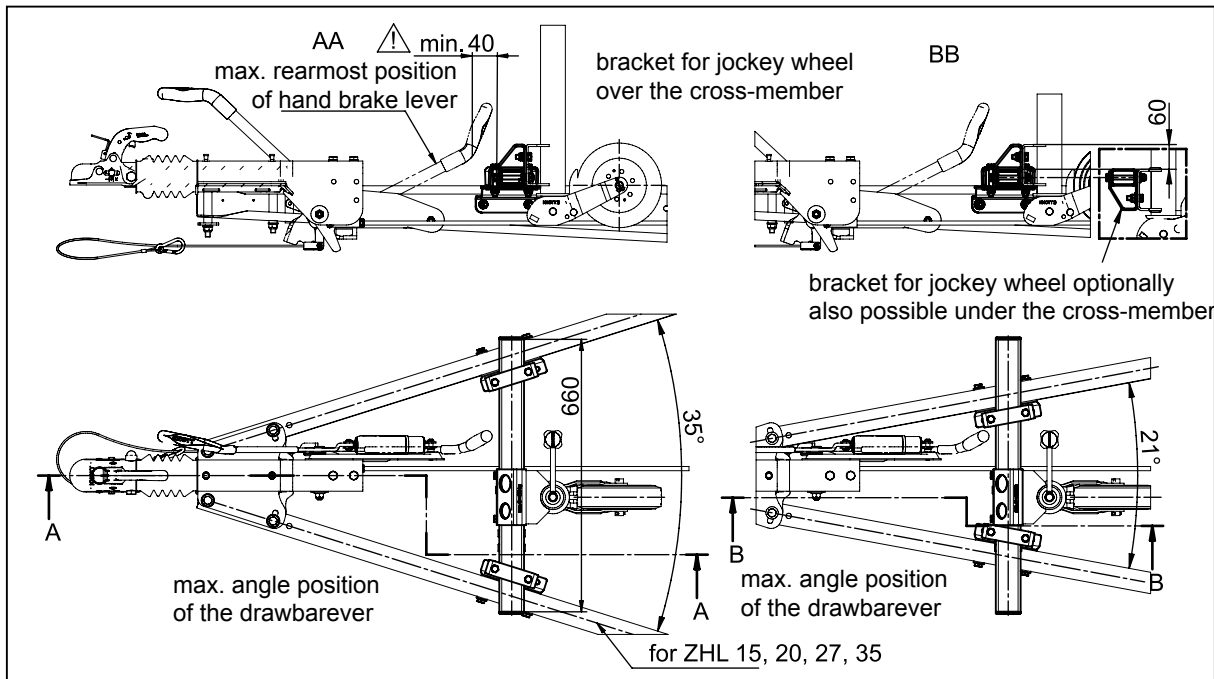


208765.001

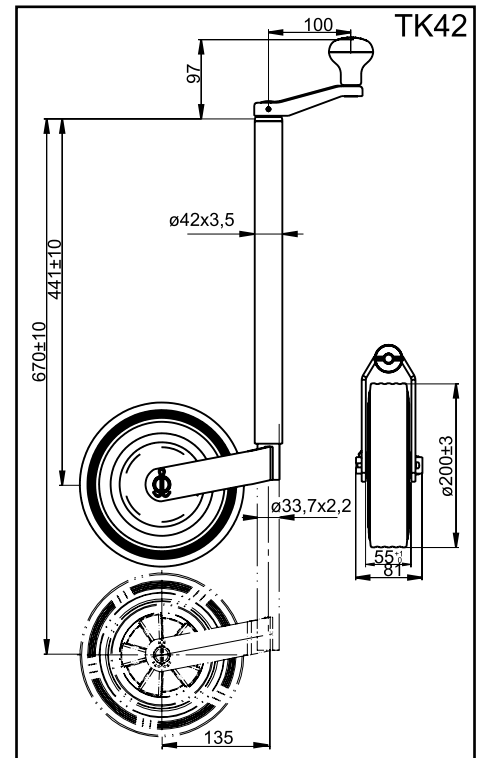
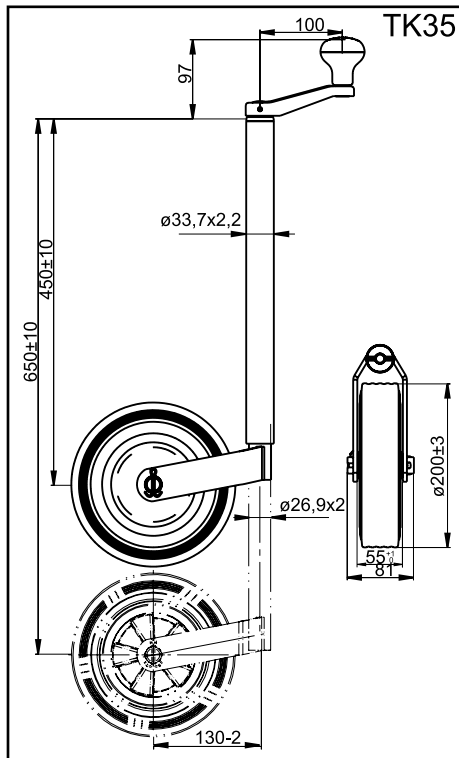


Drilling template

209213.001



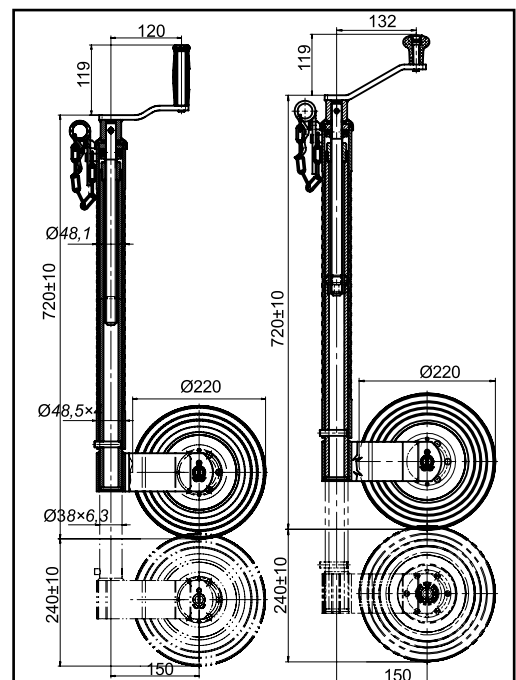
# TELESCOPIC JOCKEY WHEEL FOR TRAILERS AND CARAVANS



Type	Vertical load (max. kg)	Wheel material	Wheel size	Article number
TK35-200/40 M	75	solid rubber + plastic rim + slide bearing	200×40	6D5757.002
TK35-200/40 AC	75	solid rubber + sheet metal rim + slide bearing	200×40	6D5758.002
TK42-200/40 M	100	solid rubber + plastic rim + slide bearing	200×40	6D5802.001
TK42-200/40 AC	100	solid rubber + sheet metal rim + slide bearing	200×40	6D5800.001
TK48-220/70 H AC	125	solid rubber + sheet metal rim + needle bearing	220×70	6D5949.001
TK48-220/70 H/AC	150	solid rubber + sheet metal rim + needle bearing	220×70	6D6146.001



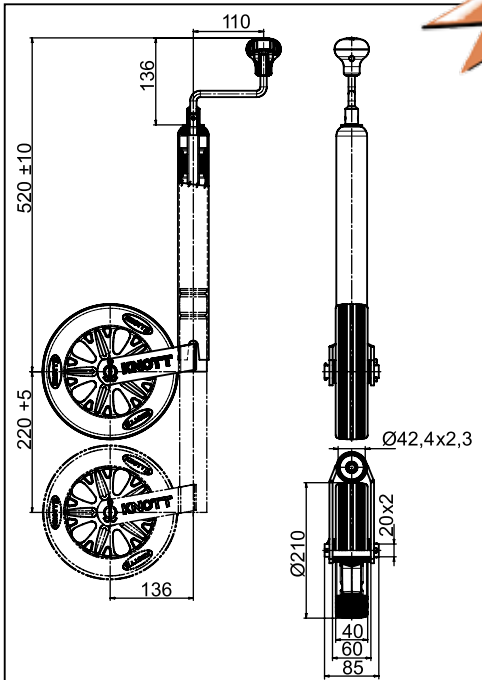
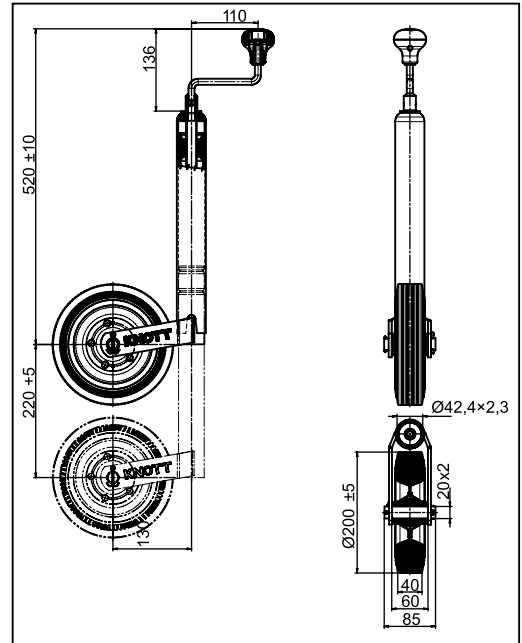
**TK 48**



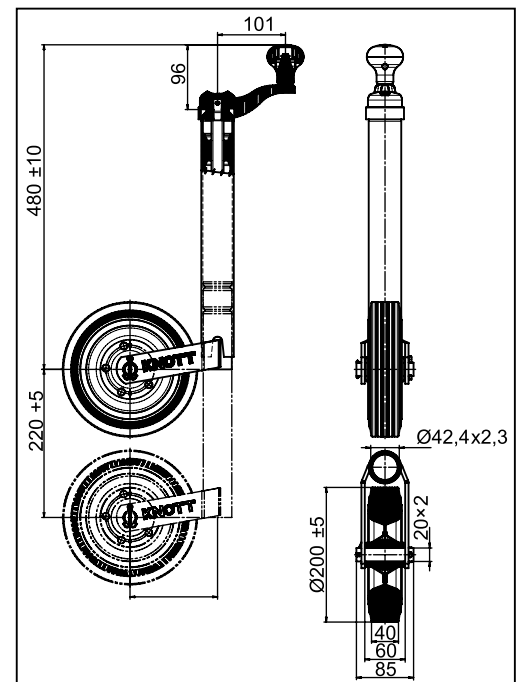
## TELESCOPIC JOCKEY WHEEL FOR TRAILERS AND CARAVANS



**TK 48-200/50 AC**



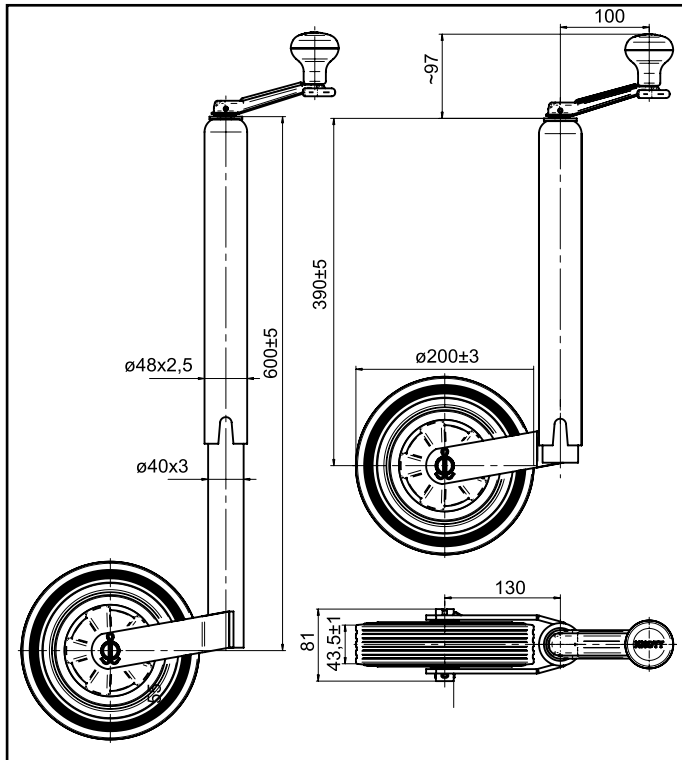
**TK 48-210/50 M**



**TK 48-200/50 AC**

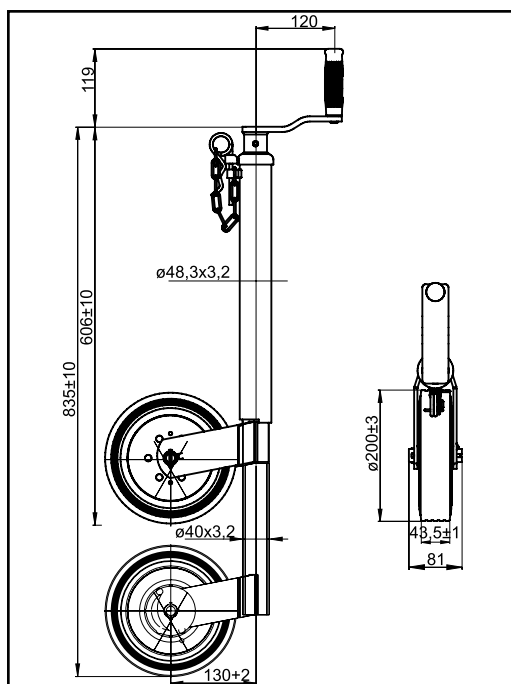
Type	Vertical load (max. kg)	Wheel material	Wheel size	Article number
TK48-200/50 AC	150	solid rubber + sheet metal rim + slide bearing	200×50	6D8746.001
TK48-210/50 M	150	solid rubber + plastic rim + slide bearing	210×50	6D8819.001
TK48-200/50 AC	150	solid rubber + sheet metal rim + slide bearing	200×50	6D8823.001

## TELESCOPIC JOCKEY WHEEL FOR TRAILERS AND CARAVANS



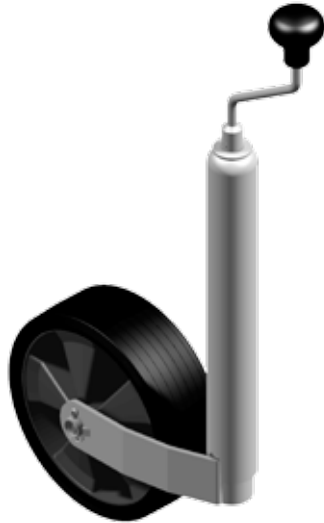
**TK 48-200/40**

Type	Vertical load (max. kg)	Wheel material	Wheel size	Article number
TK48-200/40 M	125	solid rubber + plastic rim + slide bearing	200×40	6D6307.001
TK48-200/40 AC	125	solid rubber + sheet metal rim + slide bearing	200×40	6D5807.001
TK48-200/40 AC	125	solid rubber + sheet metal rim + needle bearing	200×40	6D5915.001

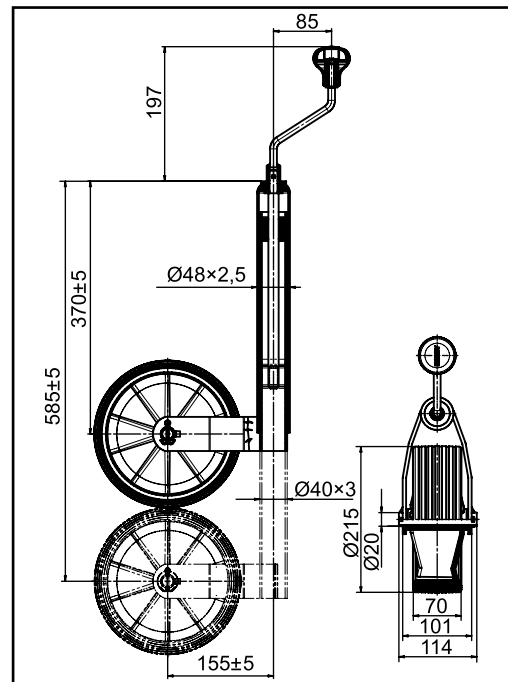


**TK 48-200/40 AC**

## TELESCOPIC JOCKEY WHEEL FOR TRAILERS AND CARAVANS



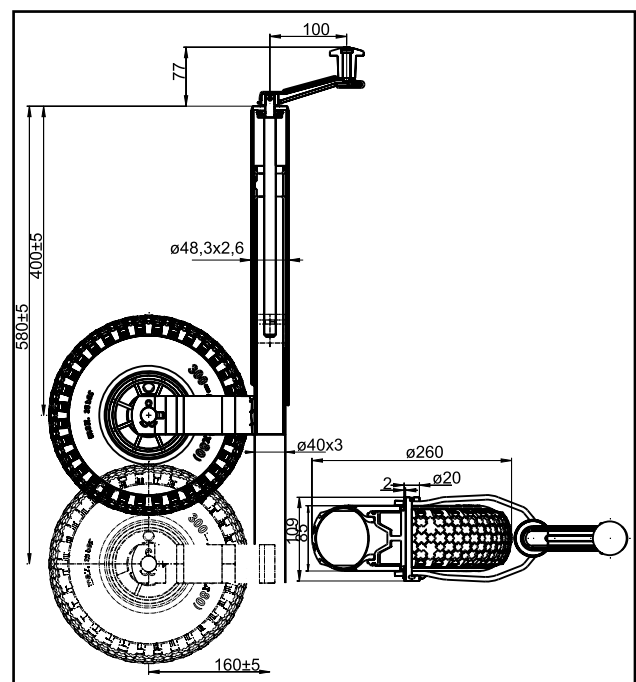
**TK 48-215/70 M**



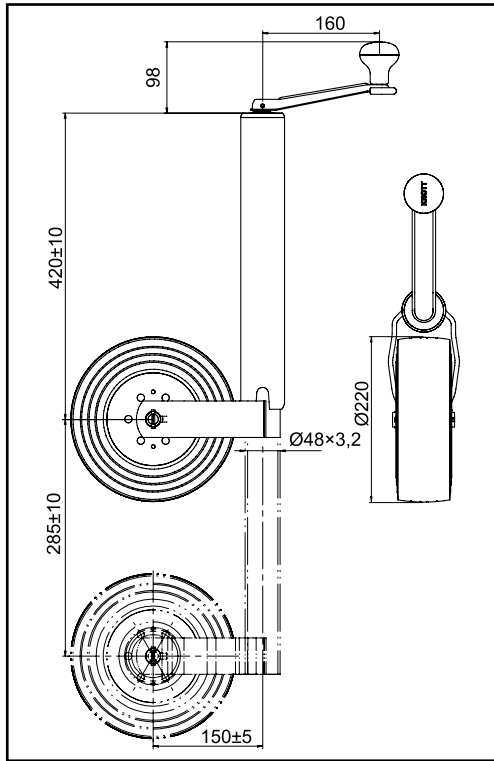
Type	Vertical load (max. kg)	Wheel material	Wheel size	Article number
TK48-215/70 M	125	solid rubber + plastic rim + slide bearing	215×70	6D5896.001
TK48-260/85 M	125	pneumatic wheel + plastic rim + slide bearing	260×85	6D6368.001
TK48-260/85 AC	125	pneumatic wheel + sheet metal rim + needle bearing	260×85	6D5353.001



**TK 48-260/85**

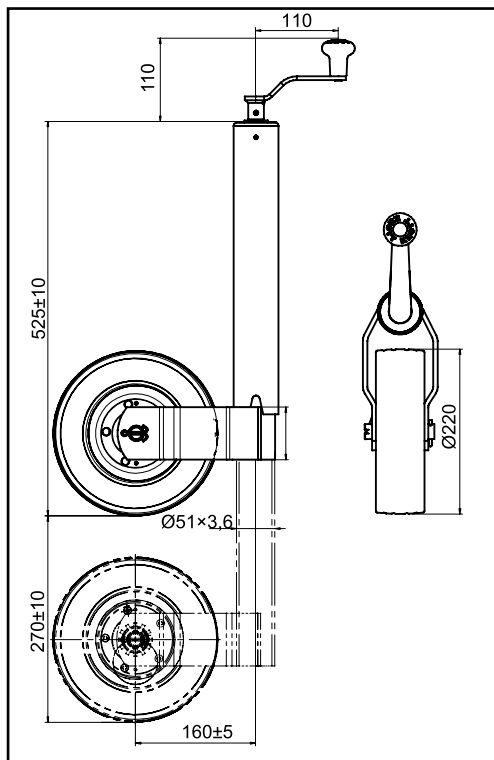


## TELESCOPIC JOCKEY WHEEL FOR TRAILERS AND CARAVANS



**TK 60-220/70 AC**

Type	Vertical load (max. kg)	Wheel material	Wheel size	Article number
TK60-220/70 AC	150	solid rubber + sheet metal rim + needle bearing	220×70	6D6163.001
TK60-220/70 AC	150	solid rubber + sheet metal rim + slide bearing	220×70	6X1094.001
TK60-220/65 AC	250	solid rubber + sheet metal rim + slide bearing	220×65	6X1699.002



**TK 60-220/70 AC**



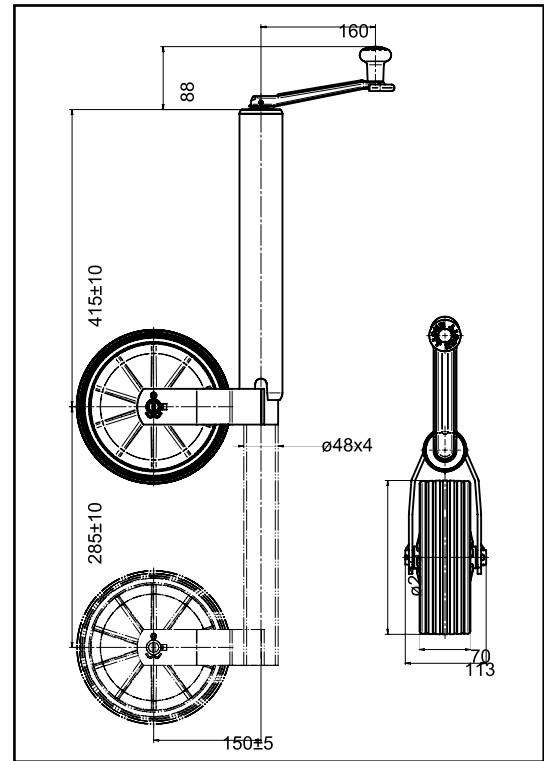
**TK 60-220/65 AC**



## TELESCOPIC JOCKEY WHEEL FOR TRAILERS AND CARAVANS



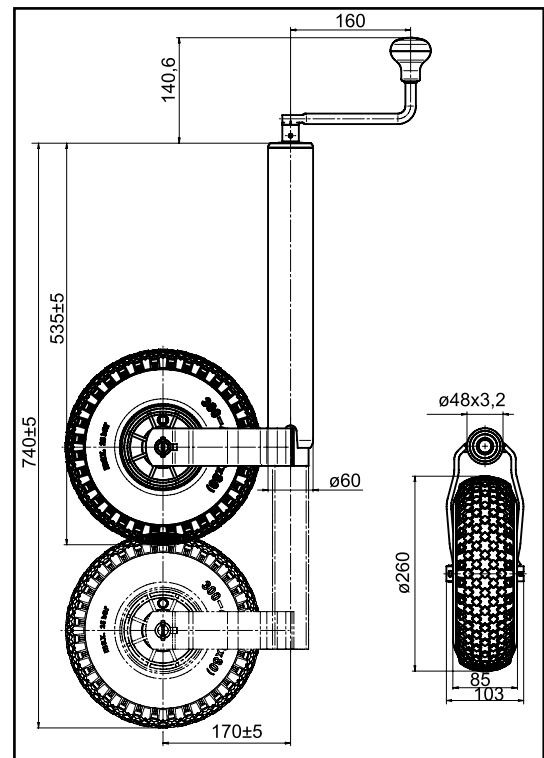
**TK 60-215/70 M**



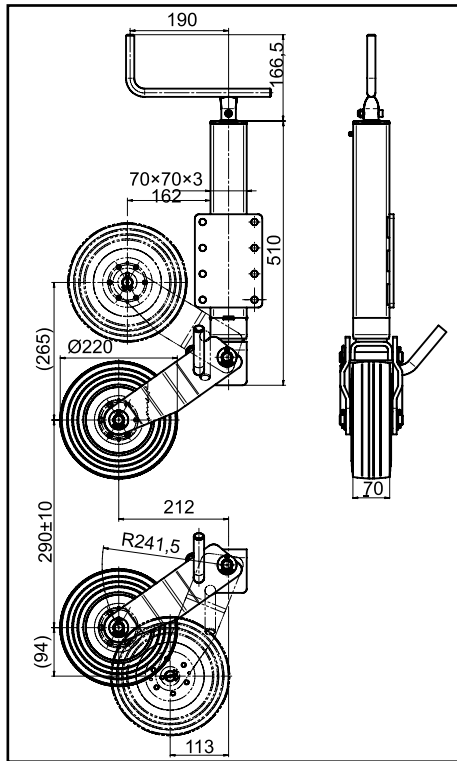
Type	Vertical load (max. kg)	Wheel material	Wheel size	Article number
TK60-215/70 M	150	solid rubber + plastic rim + slide bearing	215×70	6D6153.001
TK60-260/85 M	150	pneumatic wheel + plastic rim + slide bearing	260×85	6D6183.001



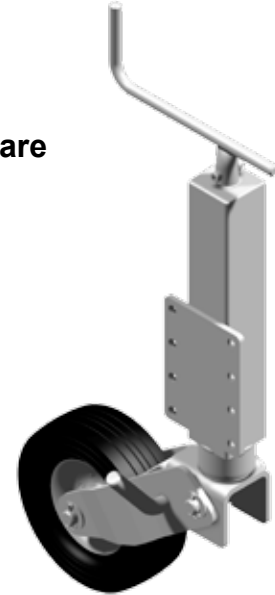
**TK 60-260/85 M**



## TELESCOPIC JOCKEY WHEEL FOR TRAILERS AND CARAVANS

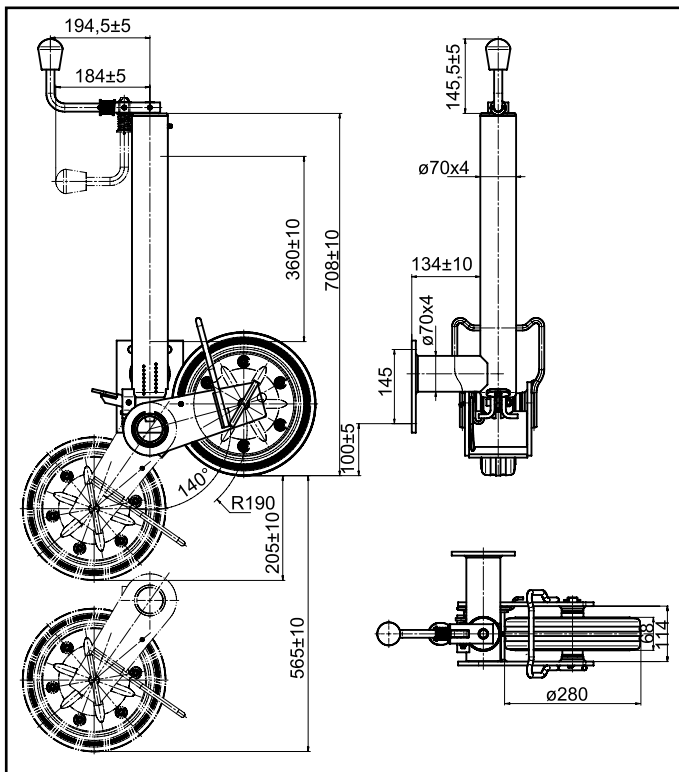


square

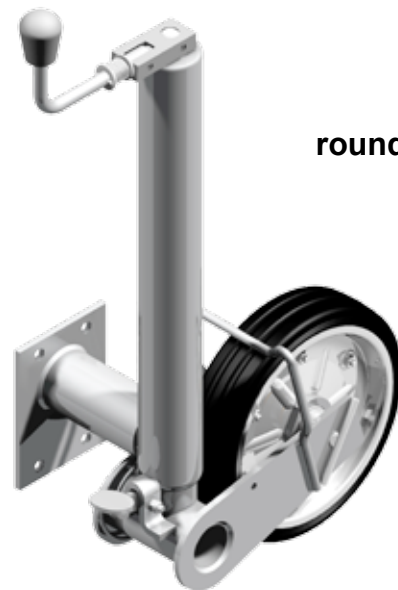


**TKS 70-220/70 AC**

Type	Vertical load (max. kg)	Wheel material	Wheel size	Article number
TKS70-220/70 AC	150	solid rubber + sheet metal rim + needle bearing	220×70	6D5406.001
TK70-280/70 AC	500	solid rubber + sheet metal rim + slide bearing	280×66	6D6528.001



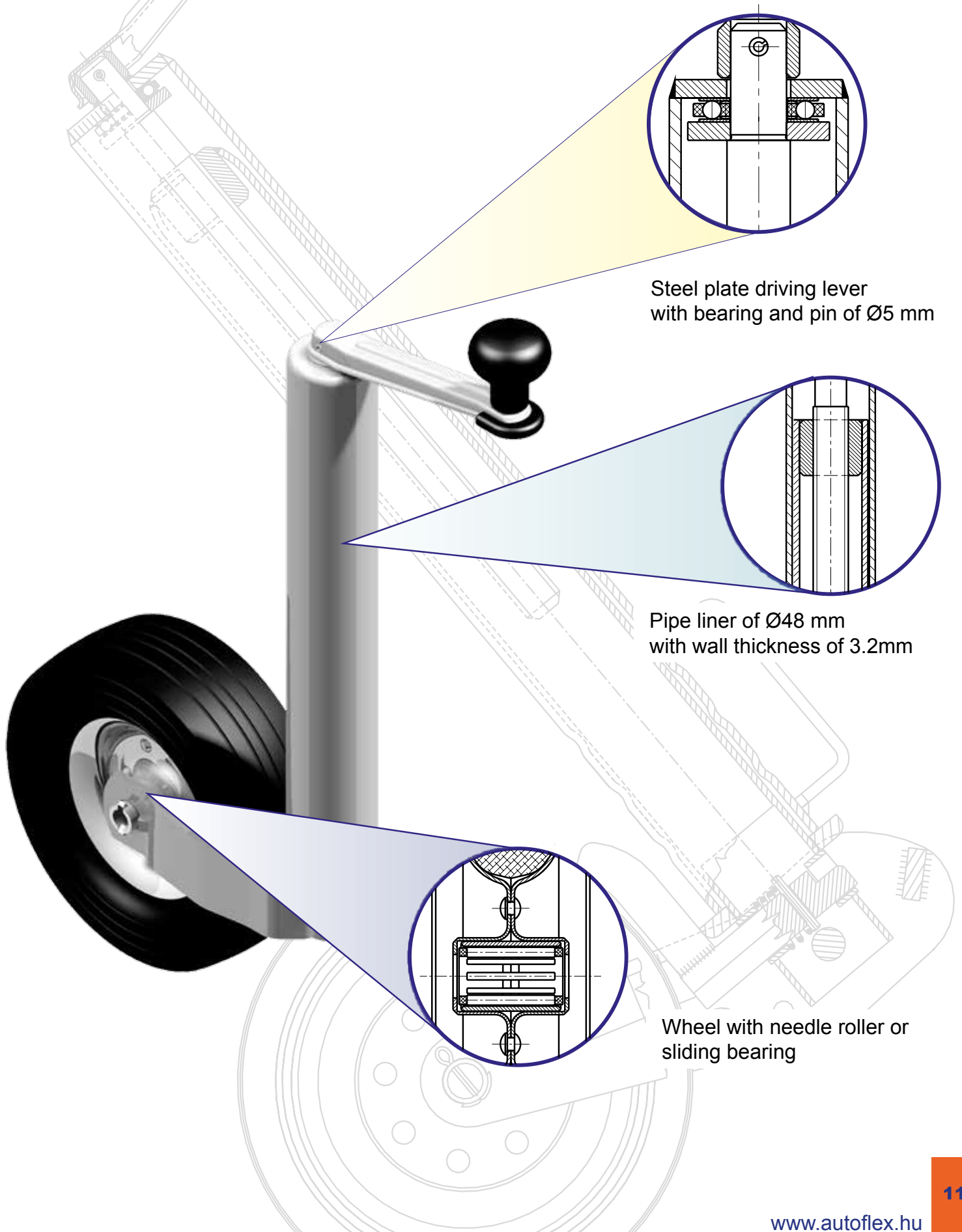
round



**TK 70-280/70 AC**



## STANDARD JOCKEY WHEELS WITH GREAT ADVANTAGES

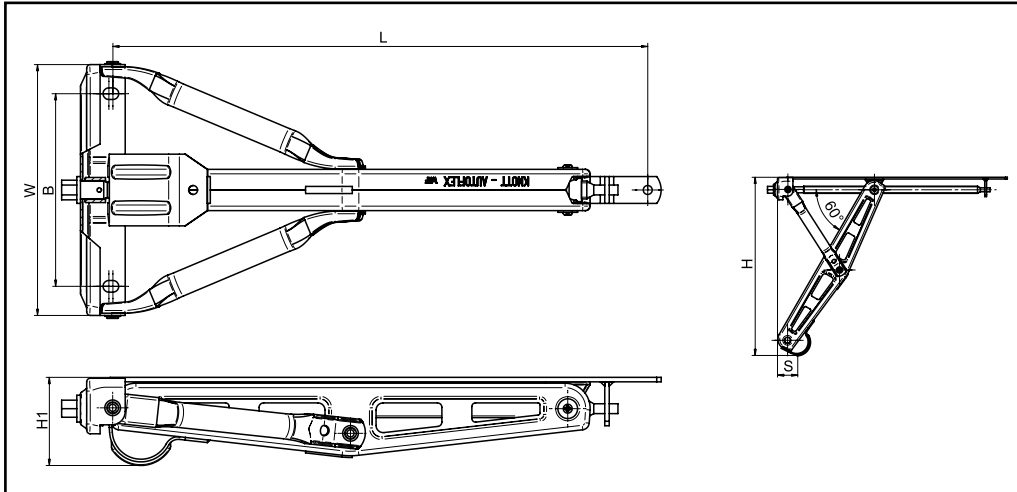


Steel plate driving lever  
with bearing and pin of  $\text{Ø}5$  mm

Pipe liner of  $\text{Ø}48$  mm  
with wall thickness of 3.2mm

Wheel with needle roller or  
sliding bearing

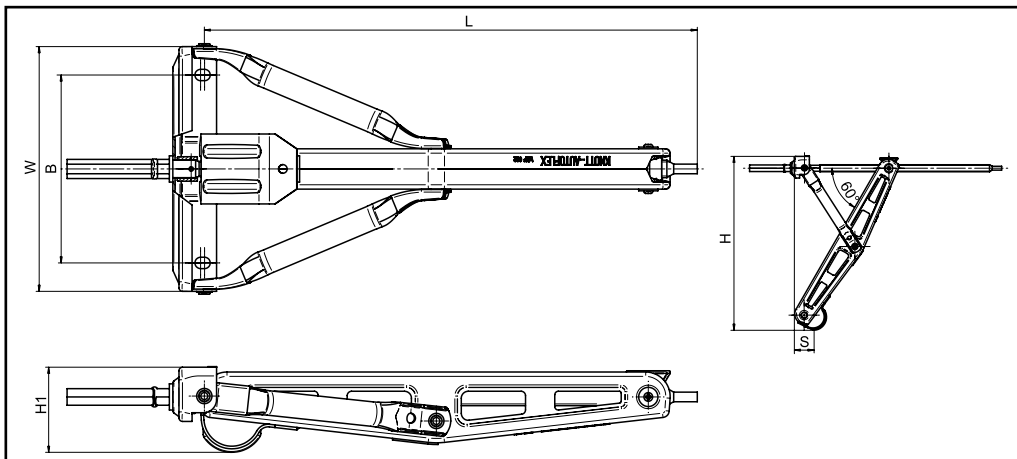
## SUPPORT LEG FOR CARAVANS



Product can be used for: trailers, caravans, horse trailers

Advantages of the product:

- stabilizes the trailer
- disencumbers the axle
- supports the trailer
- big ranch of usability
- 60° slue out
- universal crank



- Material: steel
- Surface treatment: hot-dip galvanization

About hole pattern please ask for information from our sales personnel.



Type	Vertical load (max. kg)	L (mm)	W (mm)	B (mm)	H1 (mm)	H (mm)	S (mm)	Article number
WHF001	900	564	280	215		457	115	6X1197.001
WHF002	1100	564	280	215	97	497	53	6X1197.002
WHF003	1100	597	280	215	97	497	57	6X1197.003
WHF004	1100	595,5	280	215	117	517	57	6X1197.004
WHF005	1100	564	280	215	97	497	56	6X1197.005
WHF006	1100	597	280	215	98	497	57	6X1197.006
WHF007	750	567	280	215/161	98	495	55	6X1197.007

