



6E0099.002

6E5099.002

Artikel-Nr. 6E5015.002

Artikel-Nr. 6E5026.002

Artikel-Nr. siehe Tabelle

# COUPLING HEAD

Artikel-Nr. 6E0098.002

Artikel-Nr. 6E0117.001



## OUR Couplers

Autoflex-Knott couplers are safe and easy to use.

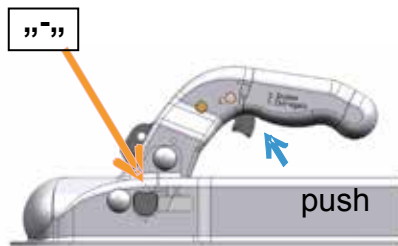
All Knott ball couplers are equipped with safety check indicator.

The red-green-red label shows the position of the coupler.

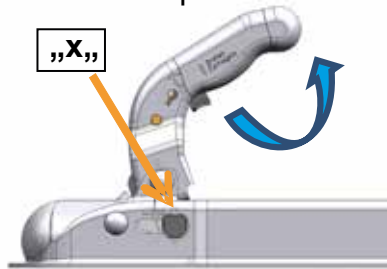


- - (red) uncoupled
- + (green) coupled
- X (red) open

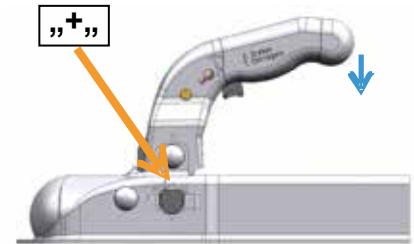
1. Uncoupled (empty)



2. Open



3. Coupled (pushed)



### Coupling and uncoupling

Uncoupling: Push the trigger and pull the coupling handle upwards. The coupling is now released and will automatically remain open during which the indicator button stays in the red field with the large "X" in it.

**Do not drive the trailer in this position!**

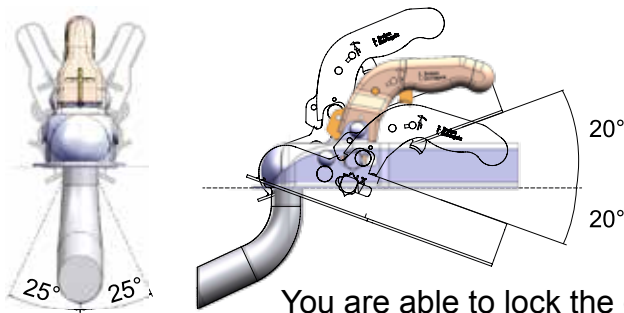
Coupling: Place the ball coupler (that should be in an open position marked with X) on the top of the hitch-ball of the tow vehicle, which, if applied correctly, produces a short clicking sound. When the ball coupler is adjusted properly, the indicator automatically jumps to the green zone marked with (+).

If the indicator is in the red zone marked with (-), the coupling is not applied properly on the tow vehicle.

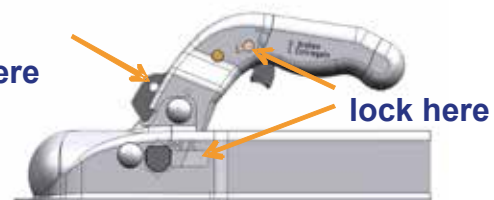
In this case it is prohibited to tow the trailer!

For more information, please, read the service book.

The ball coupler's pivot range is max  $\pm 25^\circ$  around the vehicle's longitudinal axis. It can swing within a range of  $\pm 20^\circ$  on the horizontal plane.



lock here



You are able to lock the coupler in both disconnected and connected state.

### Advantages:

- material: steel plate or casting,
- surface treatment: galvanization,
- the product went through a 500 hours salt spray test,
- comfortable to handle (different types are available),
- easy to use with the trigger,
- lockable in both disconnected and connected state,
- has a safe construction.

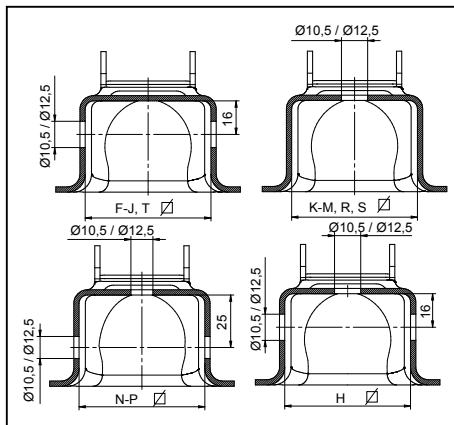
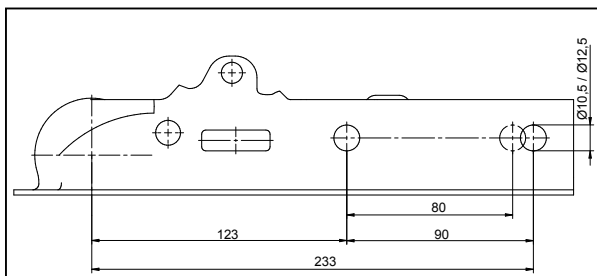
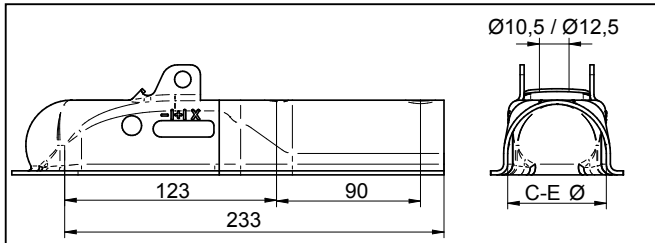
### Additional parts:

- **plug holder,**
- **coupler lock,**
- **protector,**
- **safety ball.**



# COUPLING HEAD FOR ISO/50

## K 7,5

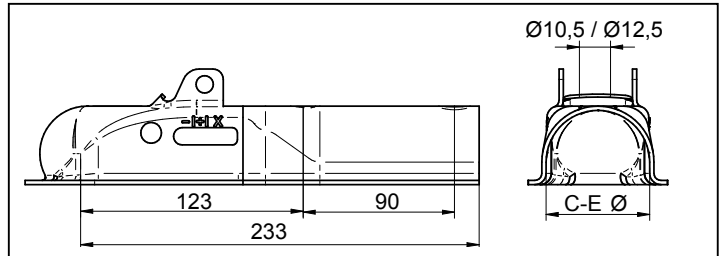


- Max. load capacity: 750 kg
- D-value: 7,2 kN
- Vert. load capacity: 75 kg
- Material: steel

Type	Joint size (mm)	ECE number	Article number
K7.5CN3	Ø50 vertical	55R-011040	6E0083.023
K7.5DN3	Ø60 vertical	55R-011040	6E0083.029
K7.5EN3	Ø70 vertical	55R-011040	6E0083.033
K7.5FN3	Ø40 horizontal	55R-011040	6E0081.005
K7.5GN3	Ø45 horizontal	55R-011040	6E0081.013
K7.5HN3	Ø50 horizontal	55R-011040	6E0081.021
K7.5IN3	Ø60 horizontal	55R-011040	6E0081.031
K7.5JN3	Ø70 horizontal	55R-011040	6E0081.037
K7.5KN3	Ø50 vertical	55R-011040	6E0081.045
K7.5LN3	Ø60 vertical	55R-011040	6E0081.053
K7.5MN3	Ø70 vertical	55R-011040	6E0081.061
K7.5NN3	Ø50 horiz./vert.	55R-011040	6E0081.072
K7.5ON3	Ø60 horiz./vert.	55R-011040	6E0081.080
K7.5PN3	Ø70 horiz./vert.	55R-011040	6E0081.088
K7.5RN3	Ø45 vertical	55R-011040	6E0081.090
K7.5SN3	Ø40 vertical	55R-011040	6E0081.091

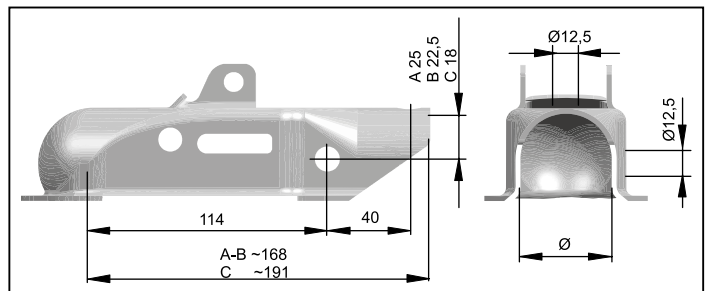
## COUPLING HEAD FOR ISO/50

### K 14



Type	Joint size (mm)	ECE number	Article number
K14AN3	Ø50 vertical	55R-010505	6E0031.002
K14BN3	Ø60 vertical	55R-010505	6E0031.004
K14CN3	Ø70 vertical	55R-010505	6E0031.006

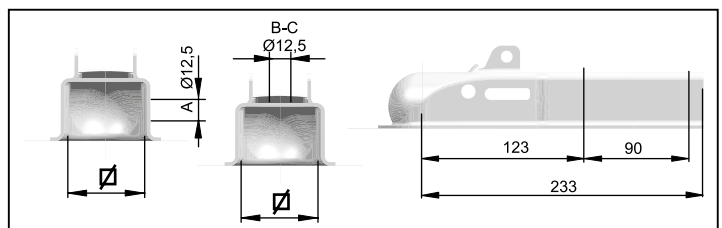
### KK 14



Type	Joint size (mm)	ECE number	Article number
KK14AN3	Ø50 horiz./vert.	55R-015181	6E0040.002
KK14BN3	Ø45 horiz./vert.	55R-015181	6E0040.004
KK14CN3	Ø36 horiz./vert.	55R-015181	6E0040.006

- Max. load capacity: 1400 kg
- D-value: 13,2 kN
- Vert. load capacity: 100 kg
- Material: steel

### KQ 14

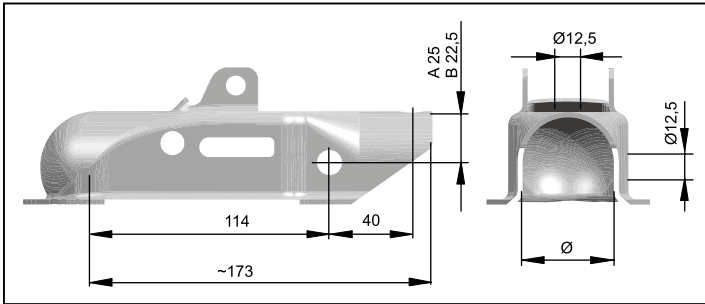


Type	Joint size (mm)	ECE number	Article number
KQ14AN3	50 horizontal	55R-010510	6E0042.004
KQ14BN3	60 vertical	55R-010510	6E0042.006
KQ14CN3	70 vertical	55R-010510	6E0042.010



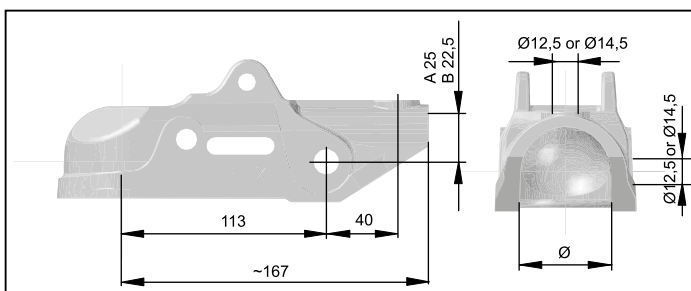
## COUPLING HEAD FOR ISO/50

### K 20



Type	Max. load capacity (kg)	D-Value (kN)	Vert. load capacity (kg)	Joint size (mm)	Material	ECE number	Article number
K20AN3	2000	18,5	100	Ø50 horiz./vert.	steel	55R-012094	6E0045.002
K20BN3	2000	18,5	100	Ø45 horiz./vert.	steel	55R-012094	6E0045.004

### K 27

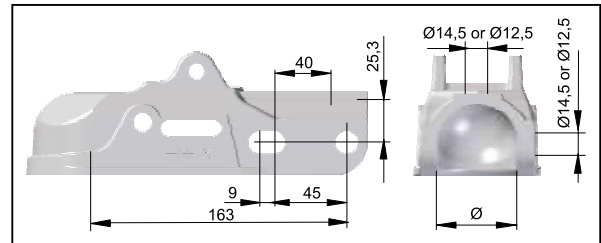


- Max. load capacity: 2700 kg
- D-value: 25 kN
- Vert. load capacity: 150 kg
- Material: casting

Type	Joint size (mm)	ECE number	Article number
K27AN3	Ø50 horiz./vert.	55R-012122	6E0019.004
K27BN3	Ø45 horiz./vert.	55R-012122	6E0019.008
K27SA	Ø50 horiz./vert.	55R-012122	6E5302.001

## COUPLING HEAD FOR ISO/50

### K 30U



Type	Joint size (Ø mm)	ECE number	Article number
K30UN3	Ø50 horiz./vert. (14.5)	55R-012507	6E0350.001
K30UN3	Ø50 horiz./vert. (12.5)	55R-012507	6E0350.002

### AV 30, 35

- Max. load capacity: 3000 kg
- D-value: 27 kN
- Vert. load capacity: 300 kg
- Material: casting



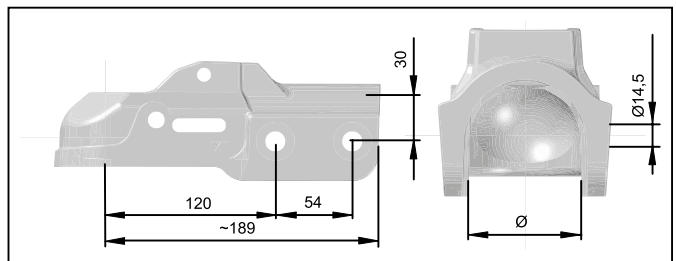
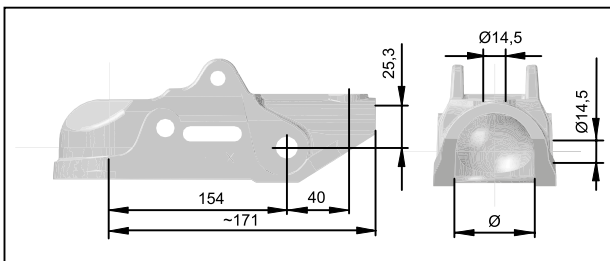
Type	Joint size (Ø mm)	ECE number	X size (Ø mm)	Y size (Ø mm)	Article number
AV 30 A	Ø50 horiz./vert.	55R-011521	12,5	12,5	202980.001
AV 30 A	Ø50 horiz./vert.	55R-011521	14,5	12,5	202980.002
AV 30 A	Ø50 horiz./vert.	55R-011521	14,5	14,5	202980.003
AV 35	Ø60 horizontal	55R-011520	14,5	14,5	203001.001





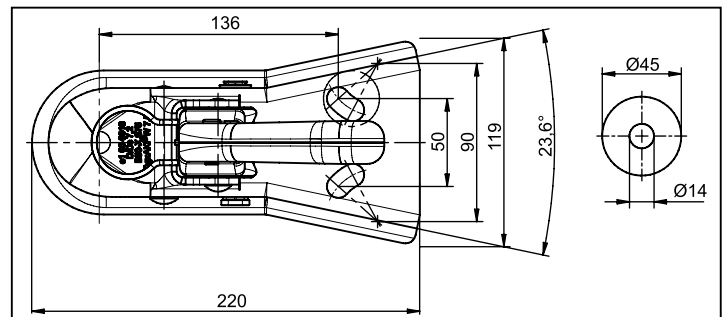
## COUPLING HEAD FOR ISO/50

### K 35



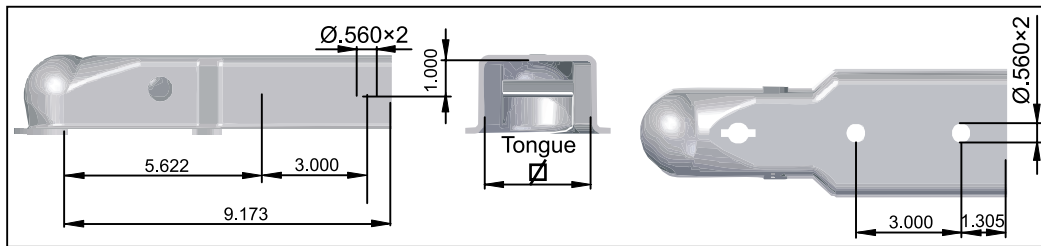
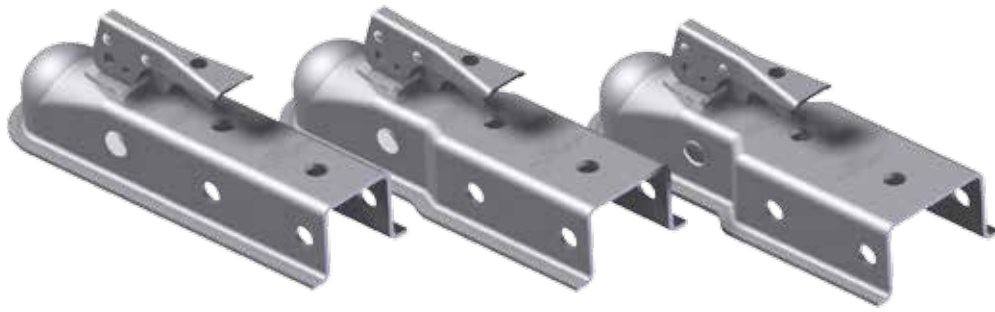
Type	Max. Load capacity (kg)	D-Value (kN)	Vert. load capacity (kg)	Joint size (Ø mm)	Material	ECE number	Article number
K35AN3	3500	31	150	Ø50 horiz./vert.	casting	55R-012121	6E0018.004
K35BN3	3500	31	150	Ø45 horiz./vert.	casting	55R-012121	6E0018.010
K35CN3	3500	31	150	Ø60 horizontal	casting	55R-012121	6E0077.002

### AKFW 7,5



Type	Load capacity max. (kg)	D Value (kN)	Vert. load capacity (kg)	Joint size (triangle)	Material	ECE number	Article number
AKFW7,5AN3	750	7,2	75	23,6° 2 × vertical	steel	55R-012469	6E0071.001

## COUPLING HEAD 2"

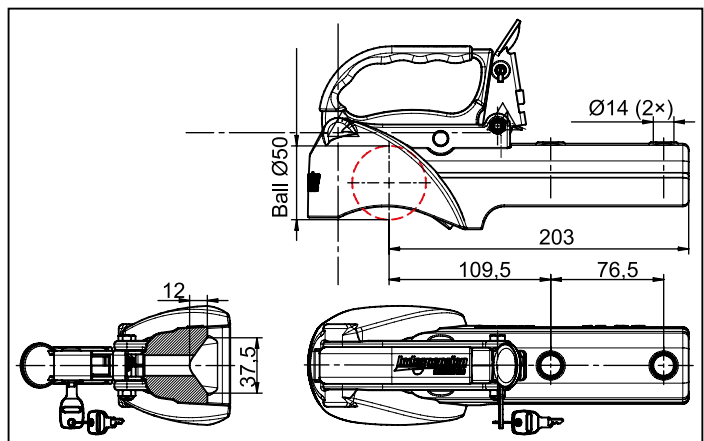


These type of couplers are sold on the USA market.

Trailer GVW (Lbs)	Ball size (in)	Vert. load capacity (Lbs)	Tongue (in)	Article number
3500	2"	165	2"	6X1393.008
3500	2"	165	2 1/2"	6X1393.009
3500	2"	165	3"	6X1393.010
3500	2"	220	2"	6X1393.004
3500	2"	220	2 1/2"	6X1393.005
3500	2"	220	3"	6X1393.006

- SAE Class: II
- Construction: stamped steel

## BQ 27



Lockable, soft dock and lock included.

Type	Max. Load capacity (kg)	D-Value (kN)	Vert. load capacity (kg)	Material	ECE number	Article number
BQ-27	2700	24,43	150	casting	55R-011478	6E0286.001





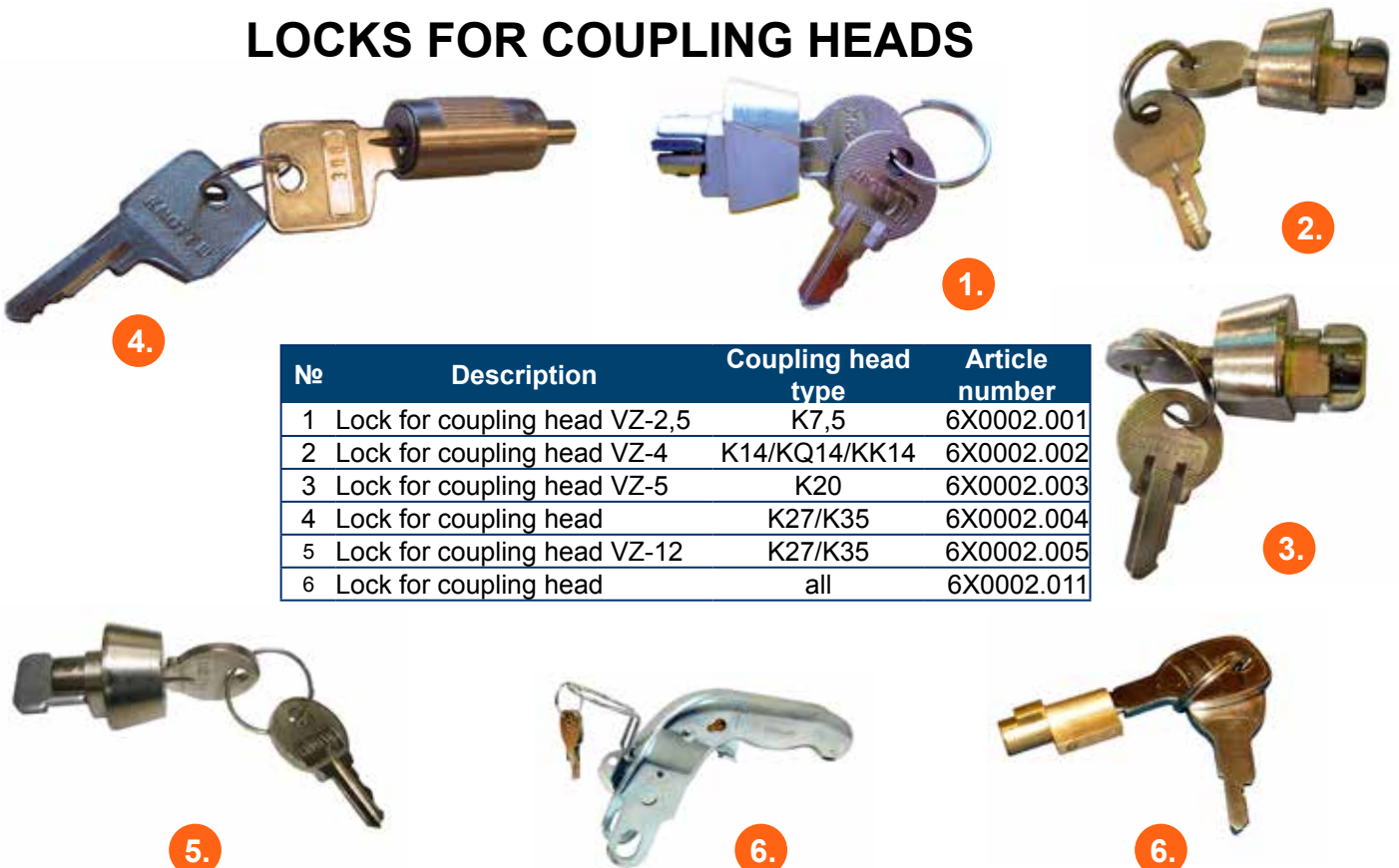
## ACCESSORIES FOR COUPLING HEADS

Nº	Description	Colour	Used for	Article number
1	Soft dock	black	K27, K35	6X0078.001
2	Soft dock	blue	K7,5, KK14-K20	6X0078.002
3	Soft dock	black	K7,5, KK14-K20	6X0078.006
4	Soft dock	black	sheet 2,5 mm	6X0078.008
5	Safety ball	blue	all	203467.001



■ Customer logo is available

## LOCKS FOR COUPLING HEADS



Nº	Description	Coupling head type	Article number
1	Lock for coupling head VZ-2,5	K7,5	6X0002.001
2	Lock for coupling head VZ-4	K14/KQ14/KK14	6X0002.002
3	Lock for coupling head VZ-5	K20	6X0002.003
4	Lock for coupling head	K27/K35	6X0002.004
5	Lock for coupling head VZ-12	K27/K35	6X0002.005
6	Lock for coupling head	all	6X0002.011

This lock is designed to fit into all coupling head with a keyhole shape slot in the handle and will prevent from being the handle lifted to release the coupling.

# news

Knott Trailertechnik



**K30-U**  
Universal ball coupling



**K30-U fits to all trailers**

[www.autoflex.hu](http://www.autoflex.hu)

Our Knowledge - Your Safety

There is no trailer without us!

**KNOTT**  
**AUTÓFLEX KFT.**

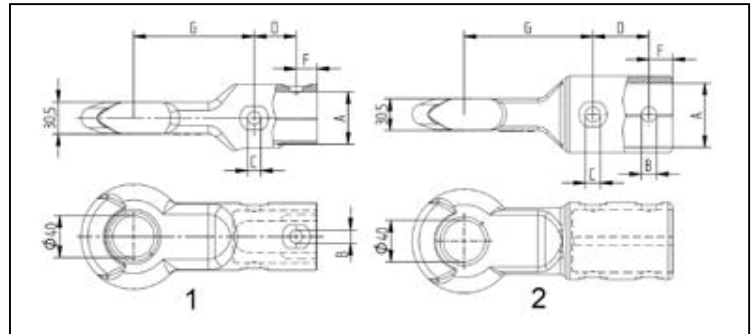


# TOWING EYE

## TOWING EYE (for all Overrun Coupling) Version "DIN"



1



- Type: DIN 74054-40A
- Max. load capacity: 3500 kg
- D-value: 31 kN
- Vertical load: 350 kg
- Material: casting

Nº	A Ø mm	B Ø mm	C Ø mm	D mm	F mm	G Ø mm	ECE number	Article number
1	45	12,5	12,5	40	20	115	55R-012026	98761693
1	50	12,5	12,5	40	20	115	55R-012026	98949393
1	50	12,5	14,5	40	20	115	55R-012026	98949493
1	50	14,5	14,5	40	20	115	55R-012026	98761993
2	60	14,5	14,5	54	22	124	55R-010681	98762093

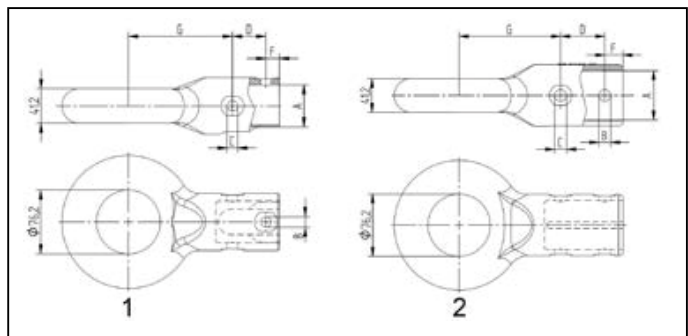


2

## Version "NATO"



1



- Type: NATO VG74059
- Max. load capacity: 3500 kg
- D-value: 31 kN
- Vertical load: 350 kg
- Material: casting

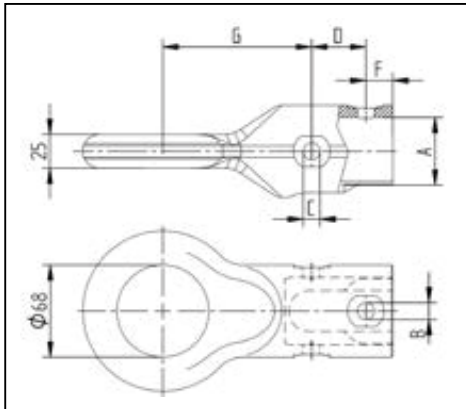
Nº	A Ø mm	B Ø mm	C Ø mm	D mm	F mm	G Ø mm	ECE number	Article number
1	45	12,5	12,5	40	16	124	55R-012124	98762193
1	50	12,5	12,5	40	16	124	55R-012124	9896059X
1	50	12,5	14,5	40	16	124	55R-012124	9895789X
1	50	14,5	14,5	40	16	124	55R-012124	98762793
2	60	14,5	14,5	54	22	124	55R-012123	98762393



2

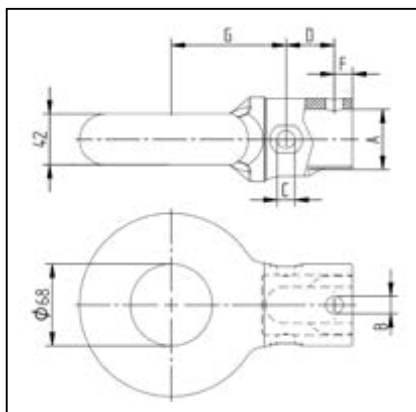


## TOWING EYE (for all Overrun Coupling) Version "French"



Type	A Ø mm	B Ø mm	C Ø mm	D mm	F mm	G Ø mm	ECE number	Article number
French Ø68-25	45	12,5	12,5	40	20	110	55R-011109	200590,001
French Ø68-25	50	12,5	12,5	40	20	110	55R-011109	200590,003
French Ø68-25	50	12,5	14,5	40	20	110	55R-011109	200590,004
French Ø68-25	50	14,5	14,5	40	20	110	55R-011109	200590,002

- Max. load capacity: 3500 kg
- D-value: 31 kN
- Vertical load: 350 kg
- Material: casting



Type	A Ø mm	B Ø mm	C Ø mm	D mm	F mm	G Ø mm	ECE number (E)	Article number
French Ø68-42	45	12,5	12,5	40	15	95	55R-012272	98789793
French Ø68-42	50	12,5	14,5	40	15	95	55R-012272	202723,001
French Ø68-42	50	14,5	14,5	40	15	95	55R-012272	98826093